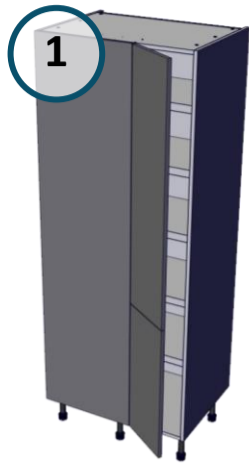




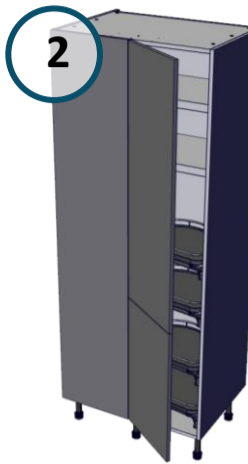
**Manufacturing Guild Mark**

Awarded by The Furniture Makers' Company

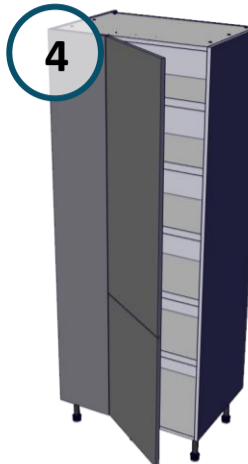
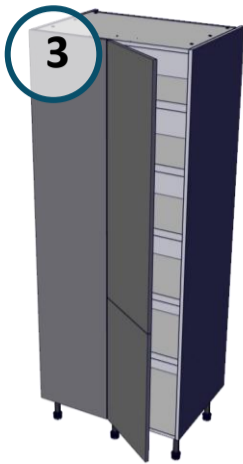
# Blind Corner Larder



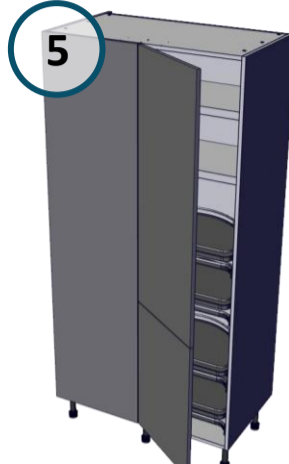
1952x800mm ; 296 Door Shelves (LH Opposite)



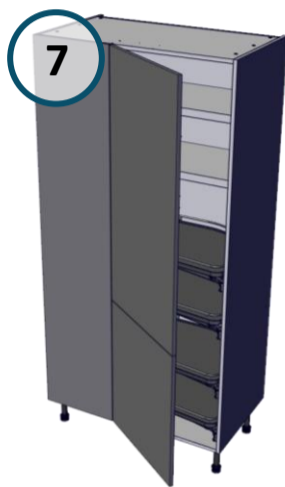
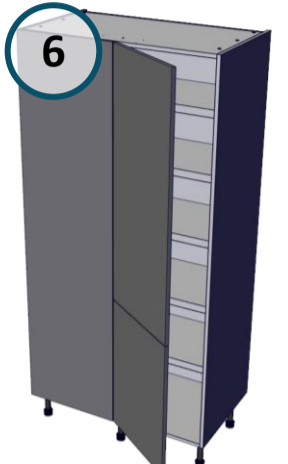
1952x800mm ; 396 Door LeMans and Shelves (LH Opposite)



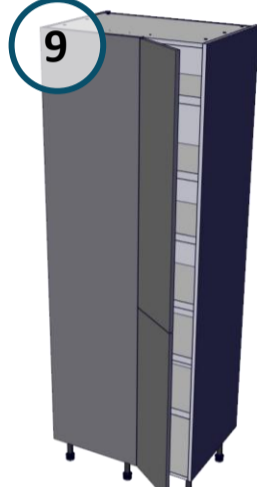
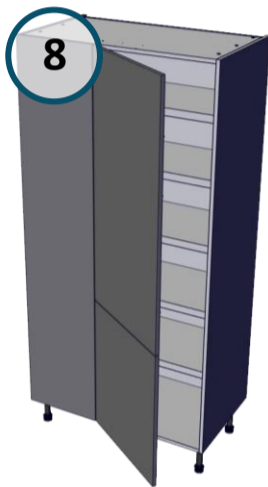
1952x800mm ; 496 Door Shelves (LH Opposite)



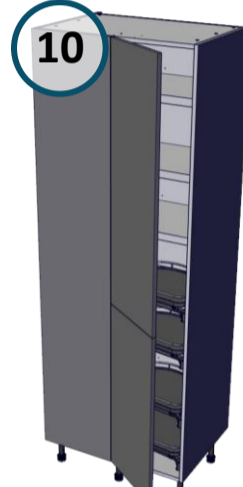
1952x1000mm ; 496 Door LeMans and Shelves (LH Opposite)



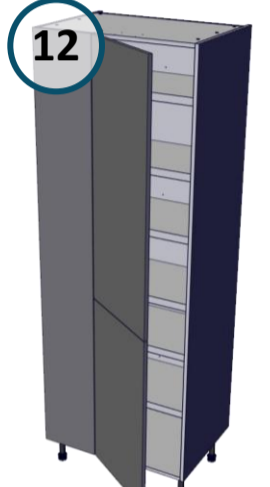
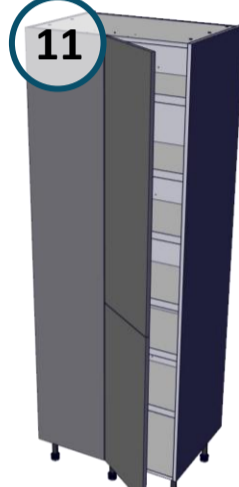
1952x1000mm ; 596 Door LeMans and Shelves (LH Opposite)



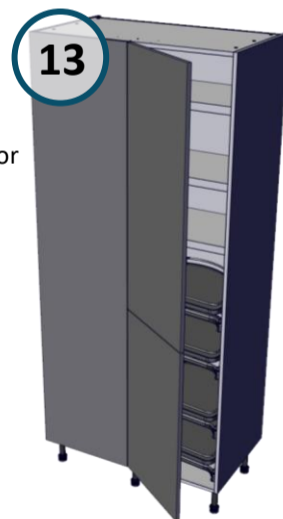
2144x800mm ; 296 Door Shelves (LH Opposite)



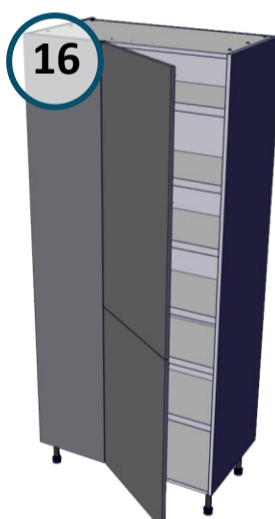
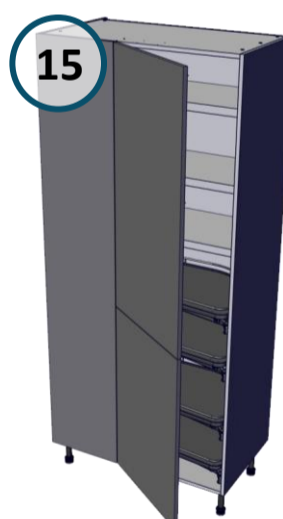
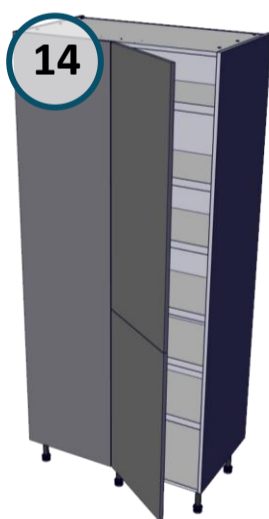
2144x800mm ; 396 Door LeMans and Shelves (LH Opposite)



2144x800mm ; 496 Door Shelves (LH Opposite)



2144x1000mm ; 496 Door LeMans and Shelves (LH Opposite)



1952x1000mm ; 596 Door LeMans and Shelves (LH Opposite)



INSTALLATION GUIDE



**Please read these instructions carefully before proceeding.**

This instruction is used in conjunction with the Installation Guide.

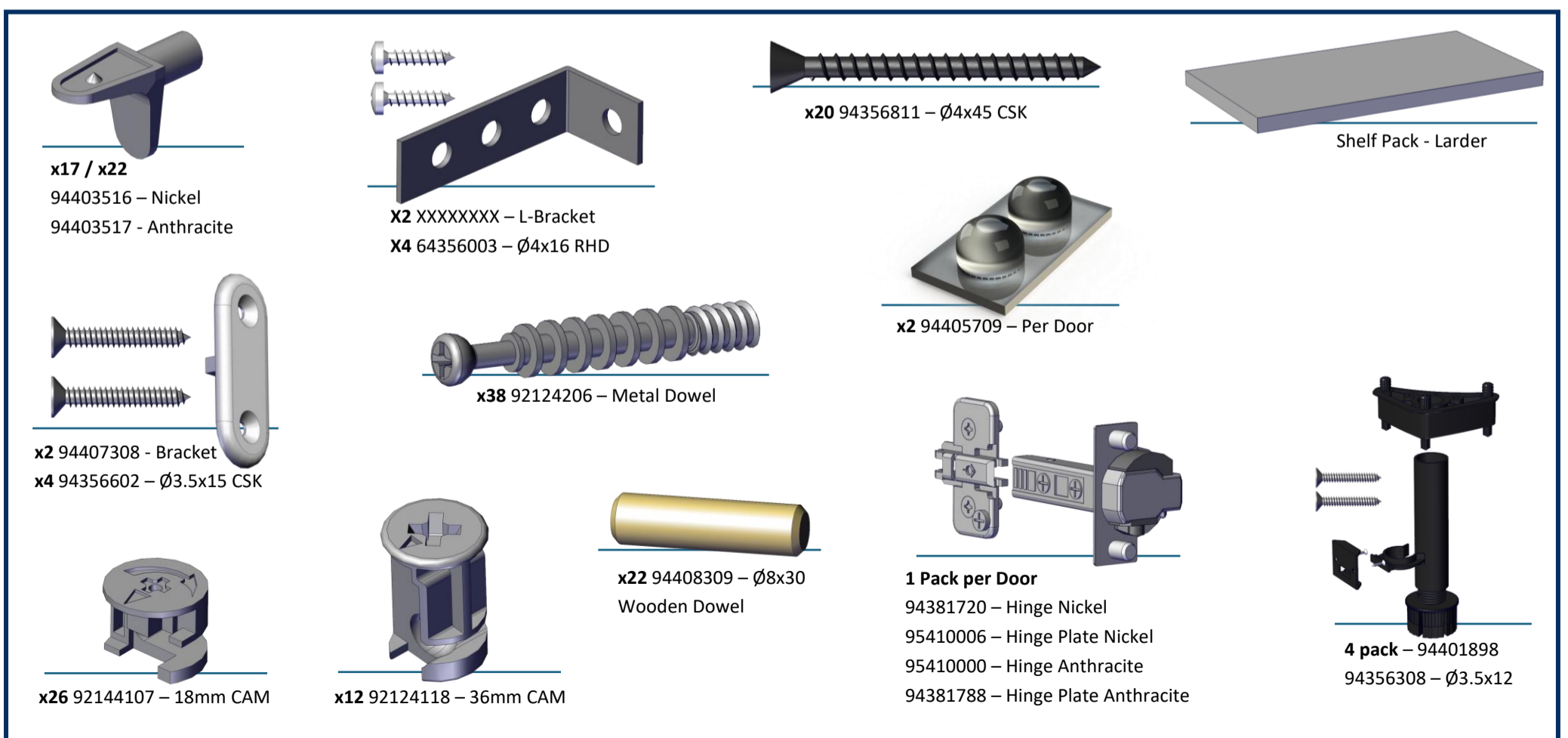
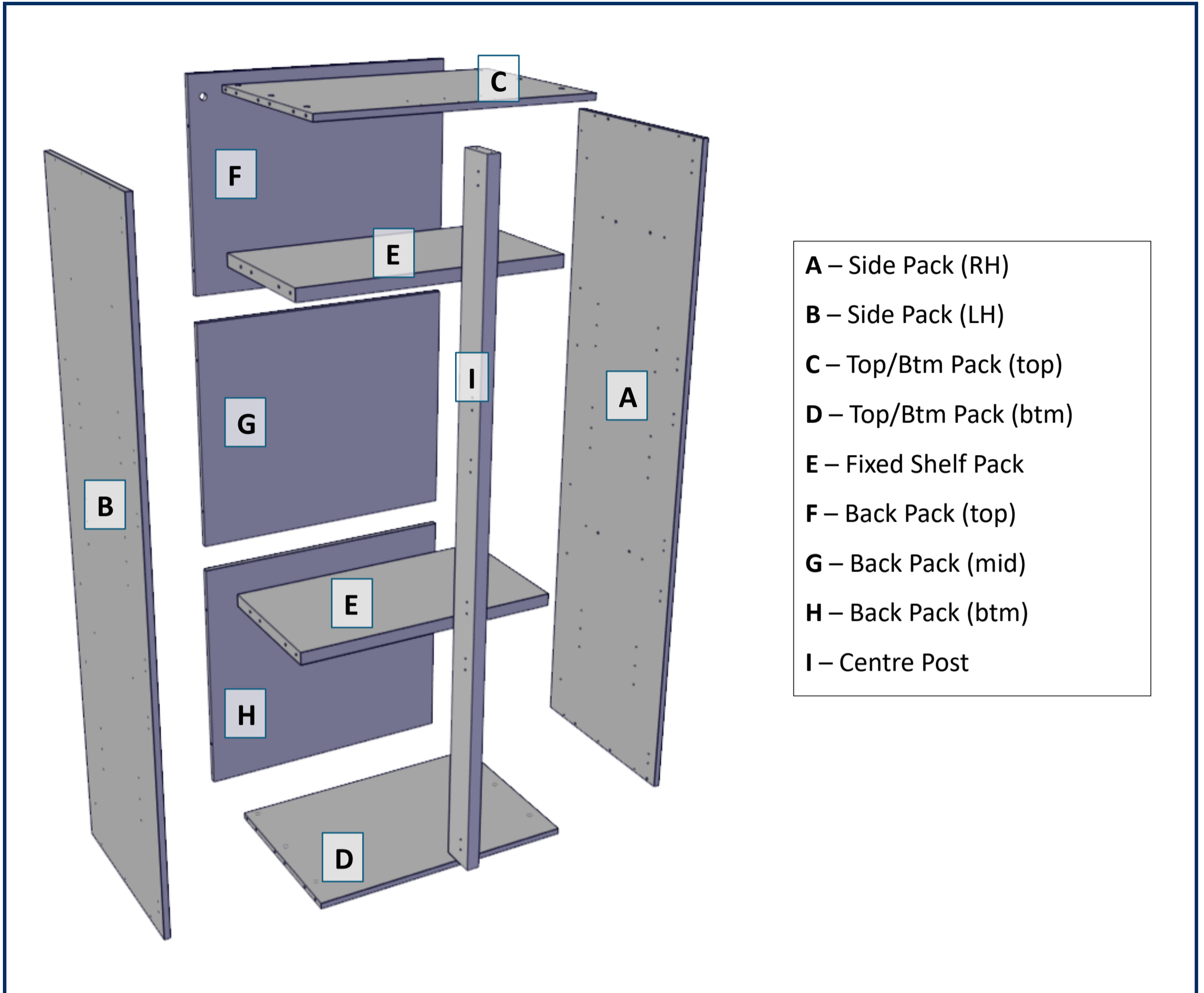
**Important:** Installation shall be carried out exactly according to the manufacturer's instructions otherwise a safety risk can occur if incorrectly installed.

**Warning:** To prevent cabinets overturning or falling, they must be used with the wall attachment device(s) provided. Before fixing any cabinets to the wall, ensure the wall construction can take the weight of the loaded cabinet and the appropriate fixings are used. If in doubt, consult an expert.

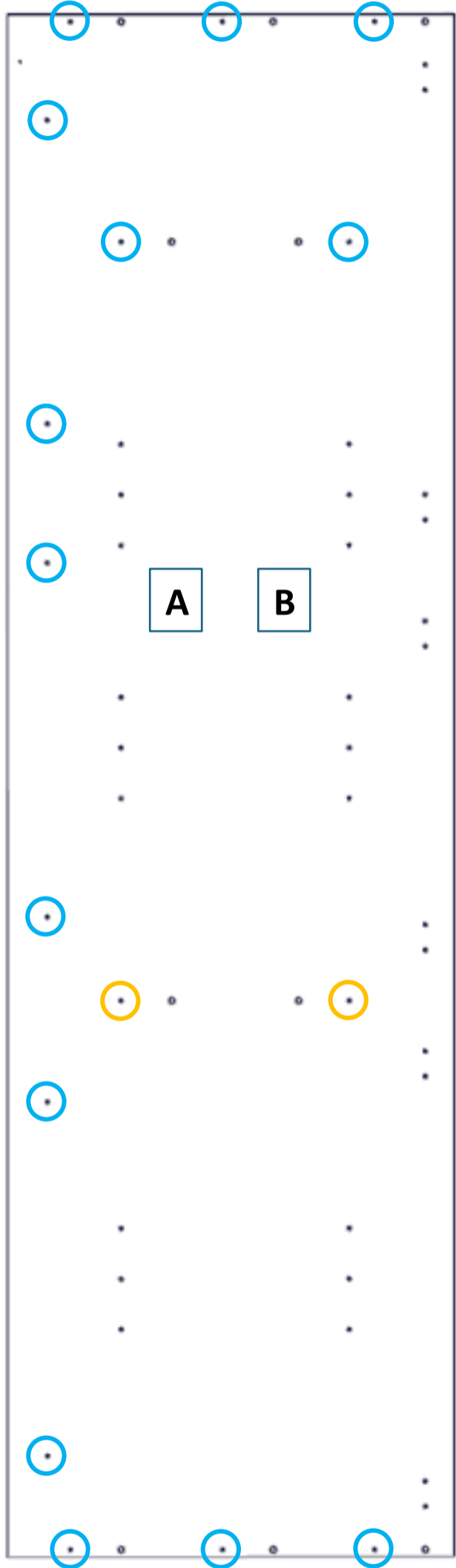
**Note:** Wall fixing screws are not supplied due to different wall types requiring different fixings.

**Caution:** Some small pieces of hardware could be hazardous to small children. Keep all items out of reach and do not leave children unattended in the assembly area.

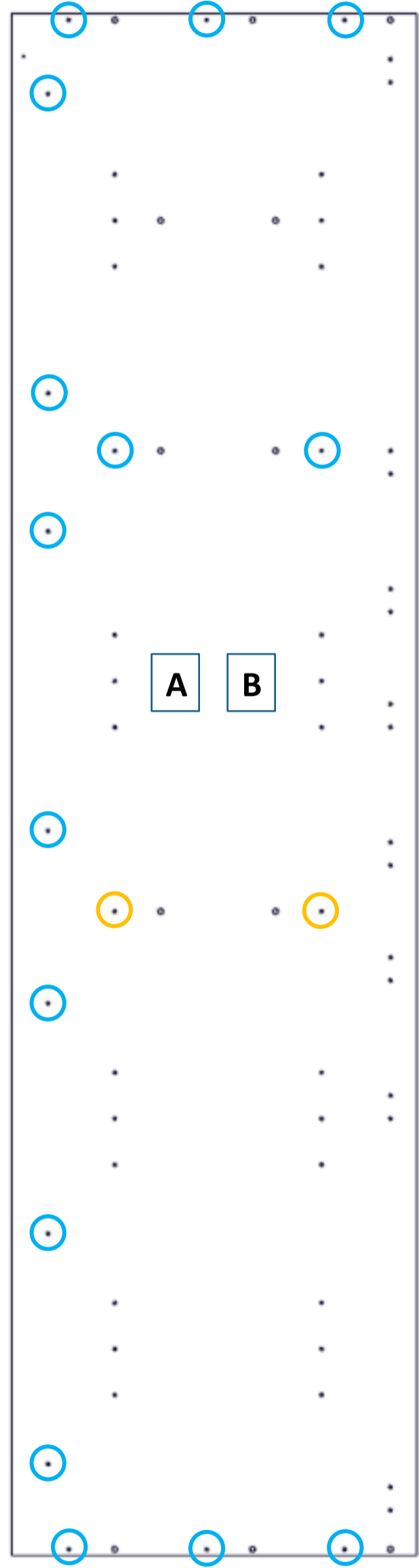




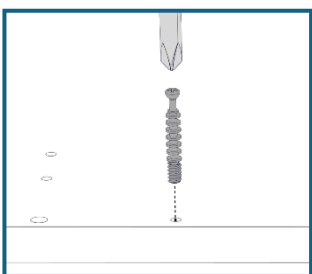
1a 1 - 8 1952mm Cabinet Side Panel






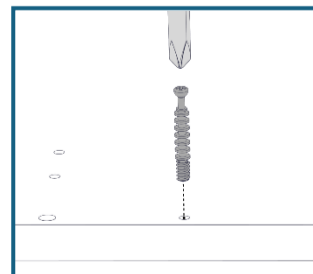
1b 9 - 16 2144mm Cabinet Side Panel






Note: Pick the relevant side panel depending on the cabinet chosen.

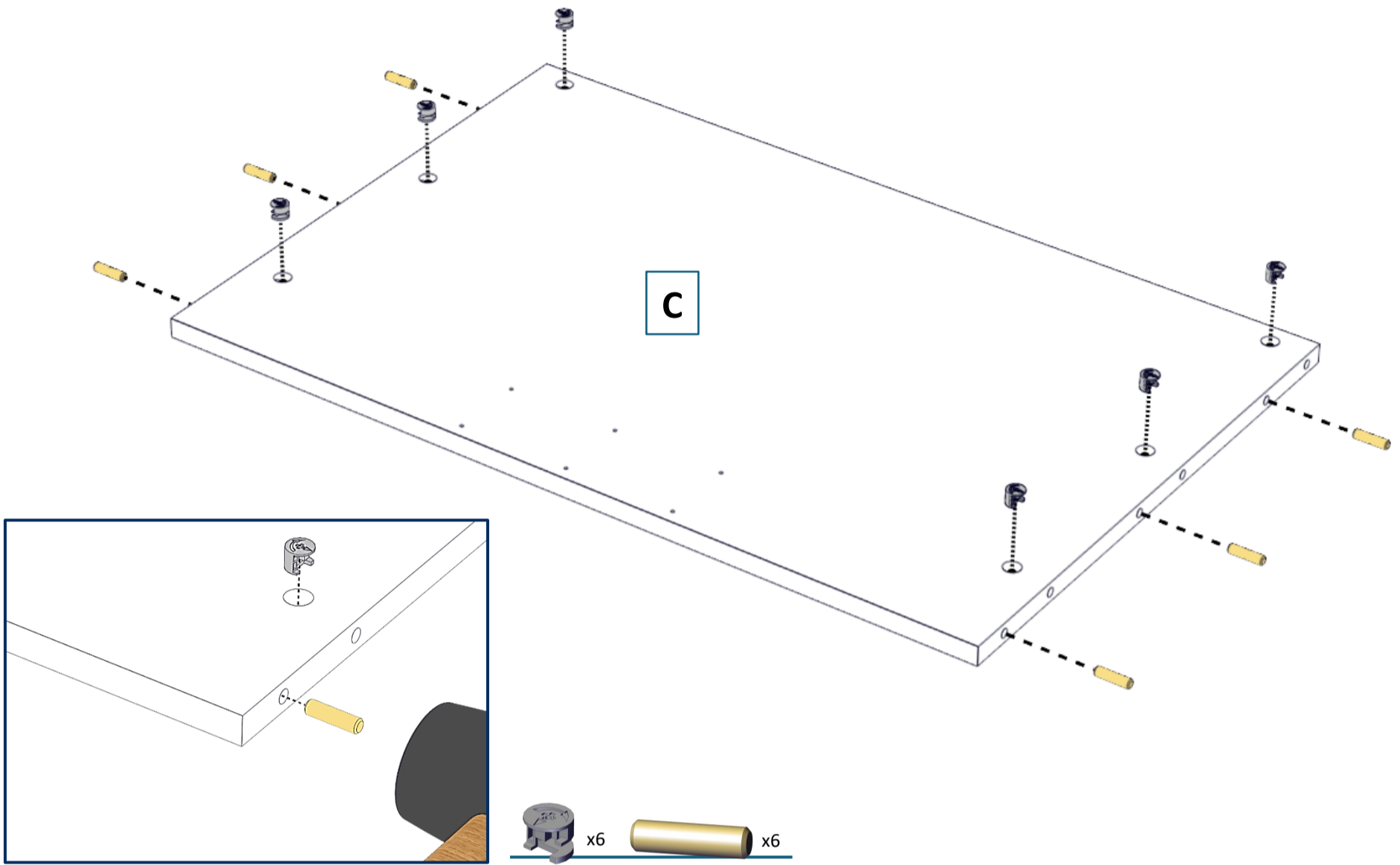


-  All cabinet options
-  Shelf option only, x2 panels
- \_\_\_\_\_ RH panel shown, LH opposite
-  x28/x32

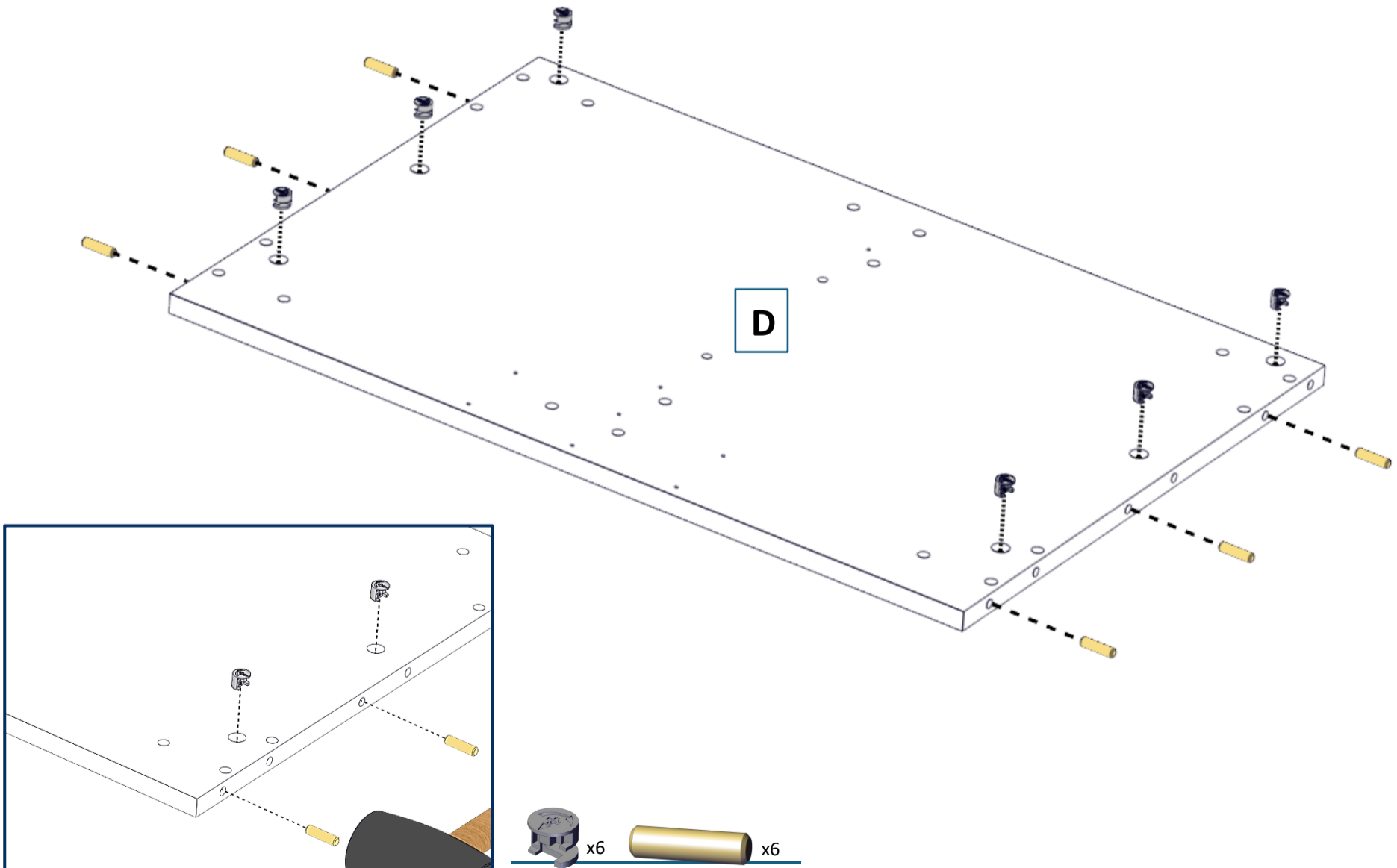


-  All cabinet options
-  Shelf option only, x2 panels
- \_\_\_\_\_ RH panel shown, LH opposite
-  x30/x32

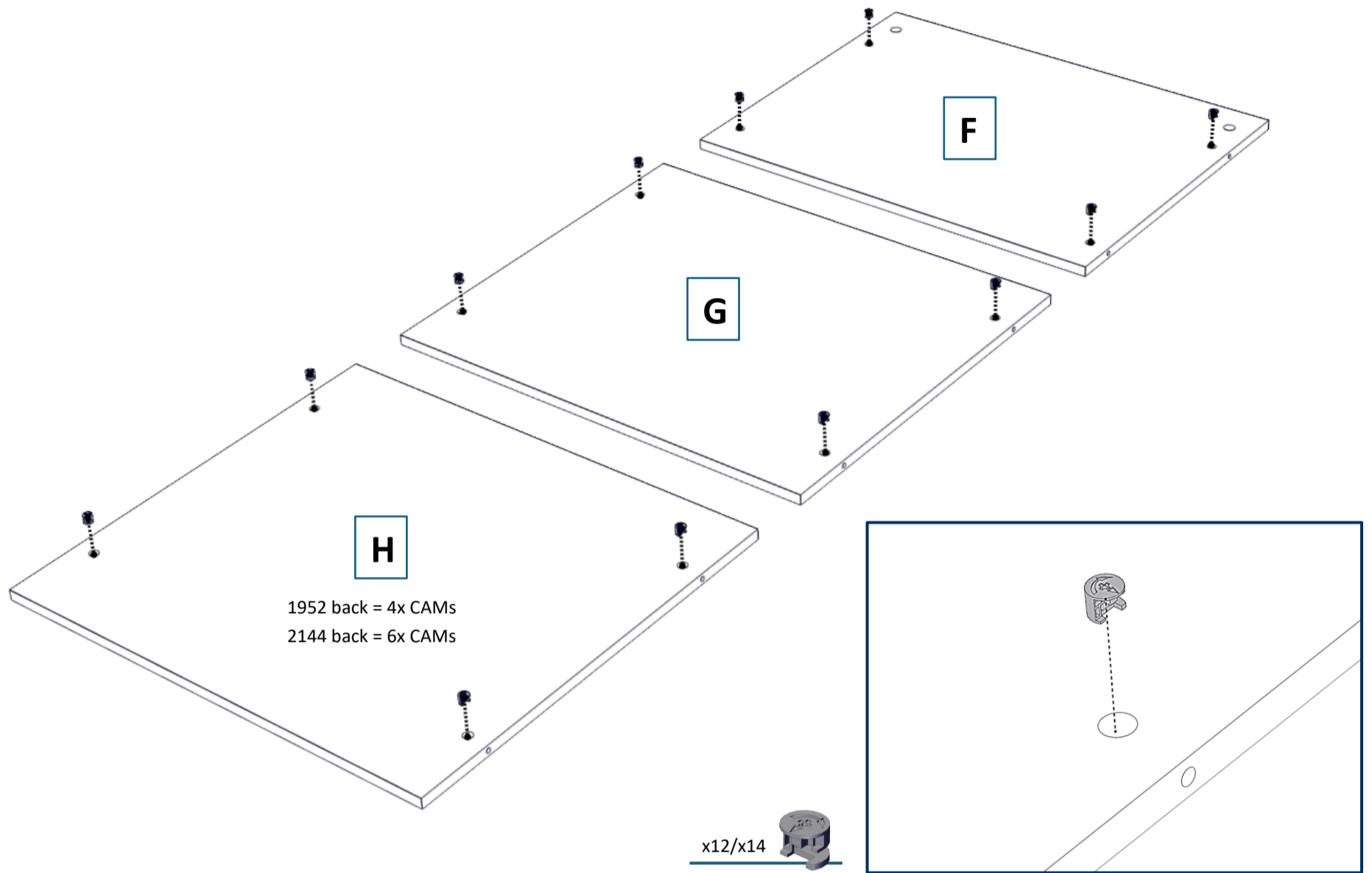
2 1 - 16 Top Panel



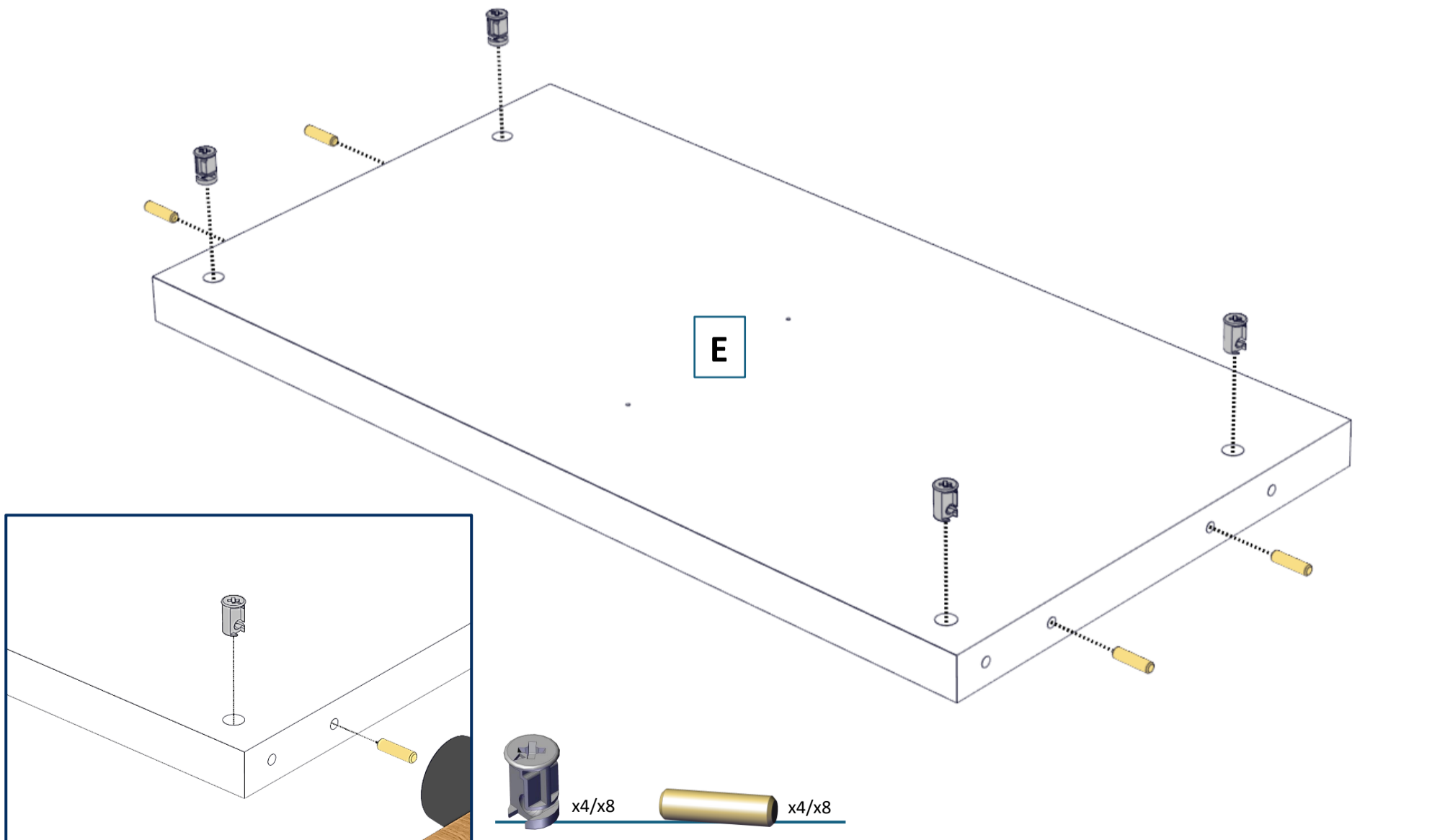
3 1 - 16 Bottom Panel



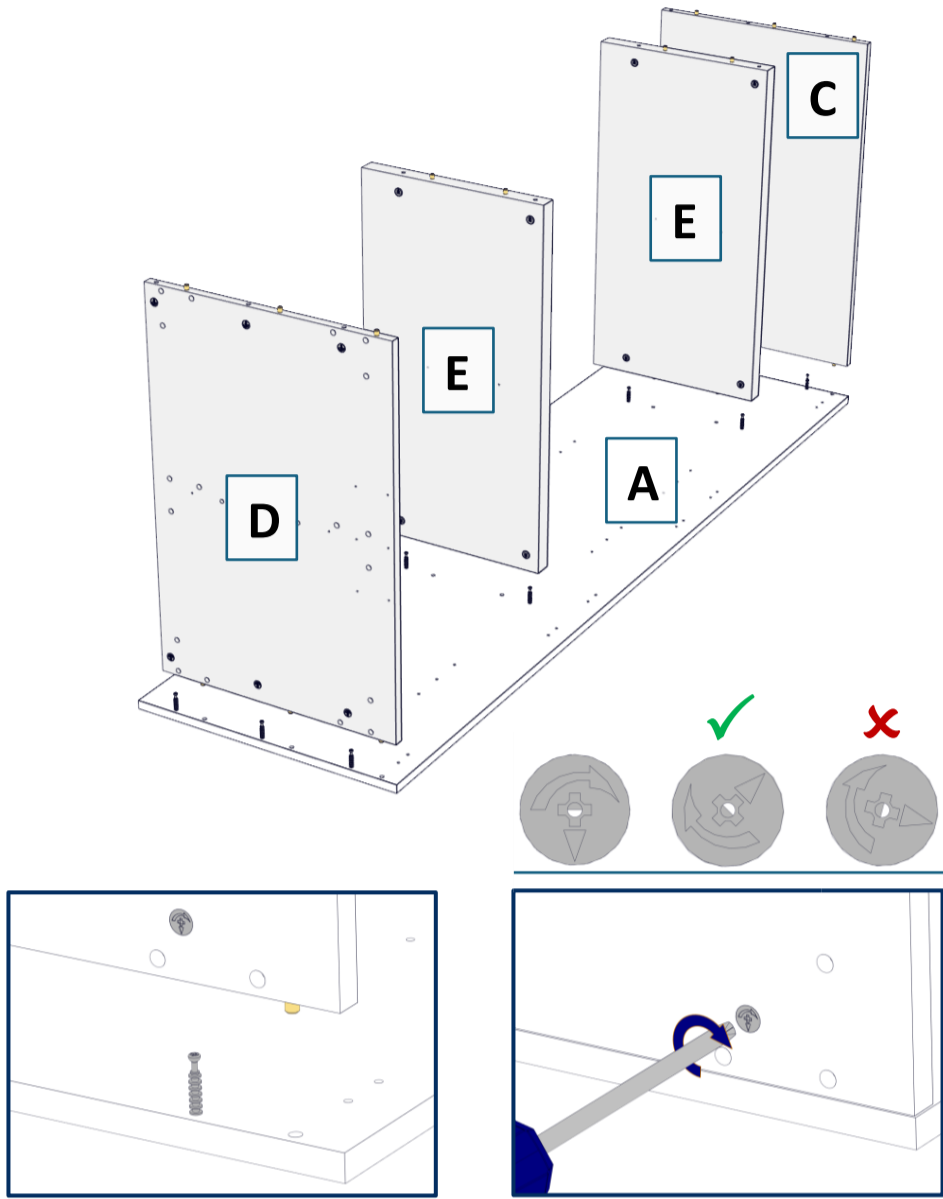
4 **1** - **16** Back Panels



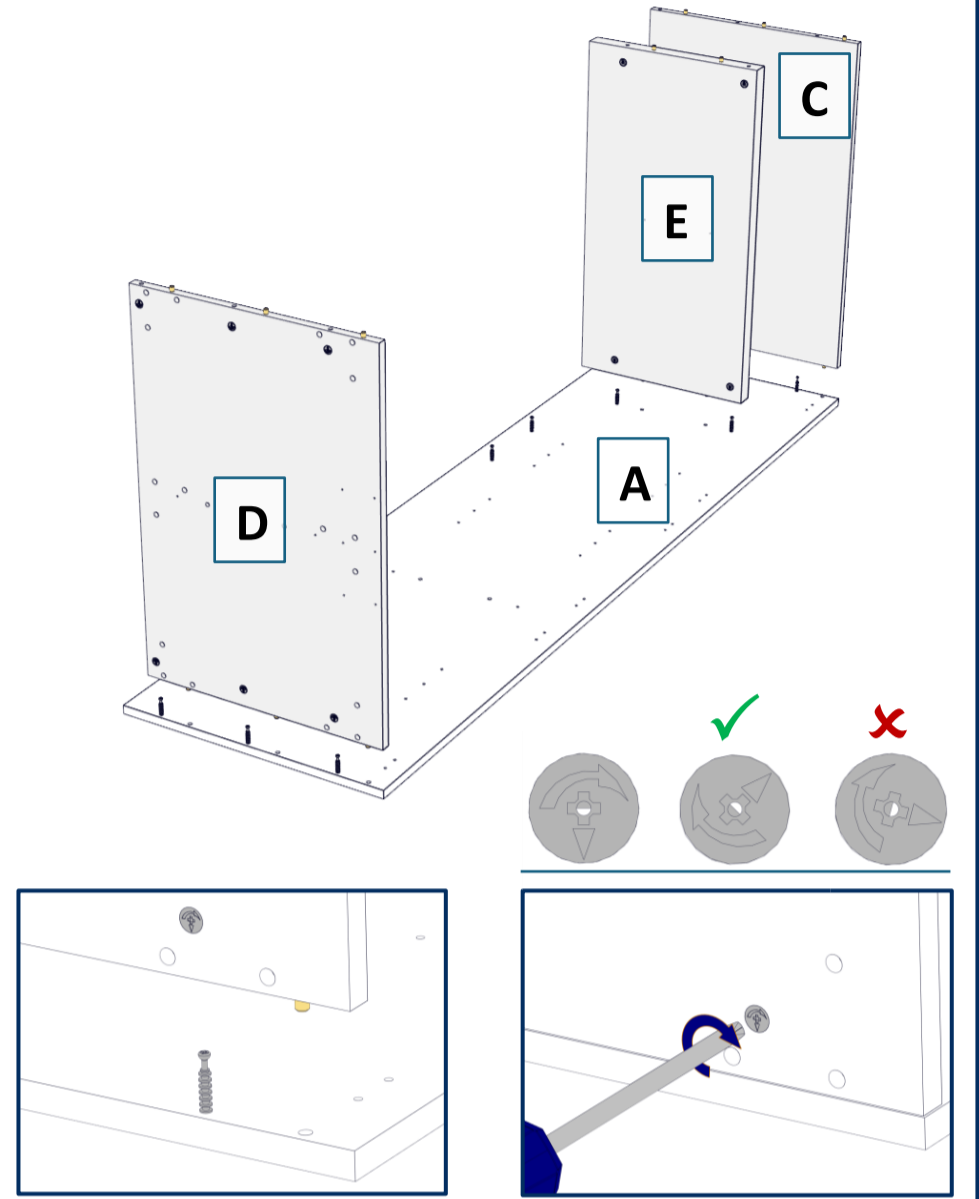
5 **1** - **16** Fixed Shelves



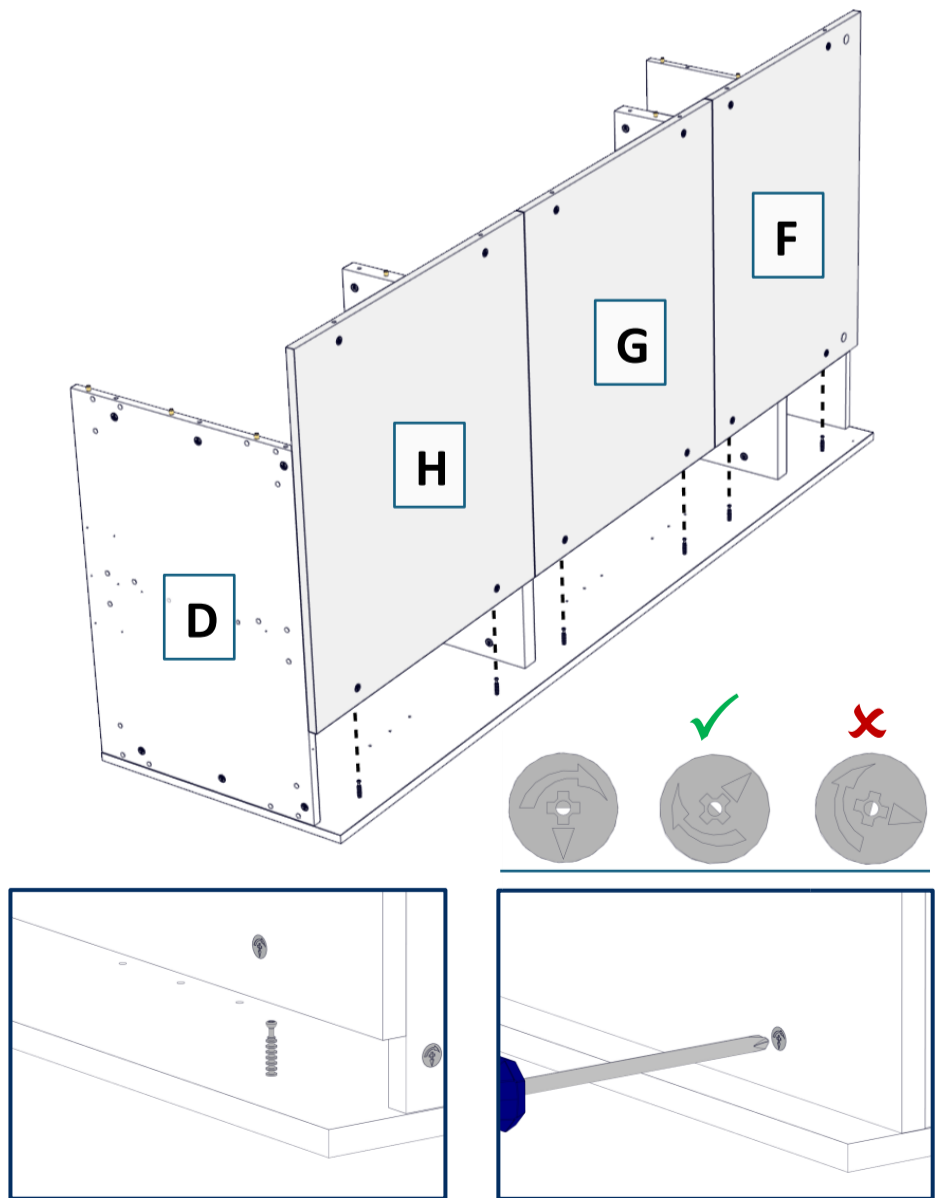
6a 1, 3, 4, 6, 8, 9, 11, 12, 14, 16 Shelf Larder



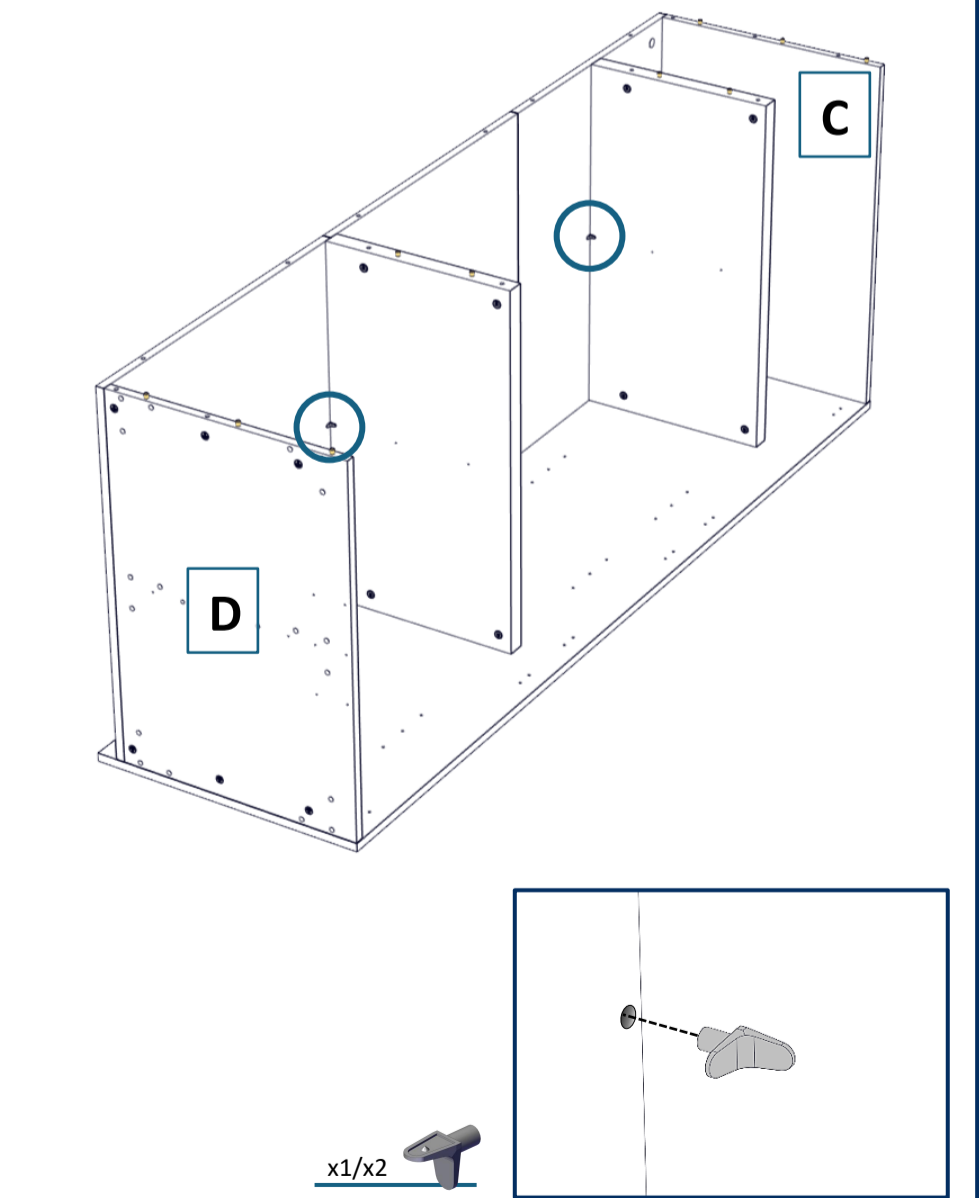
6b 2, 5, 7, 10, 13, 15 LeMans Larder

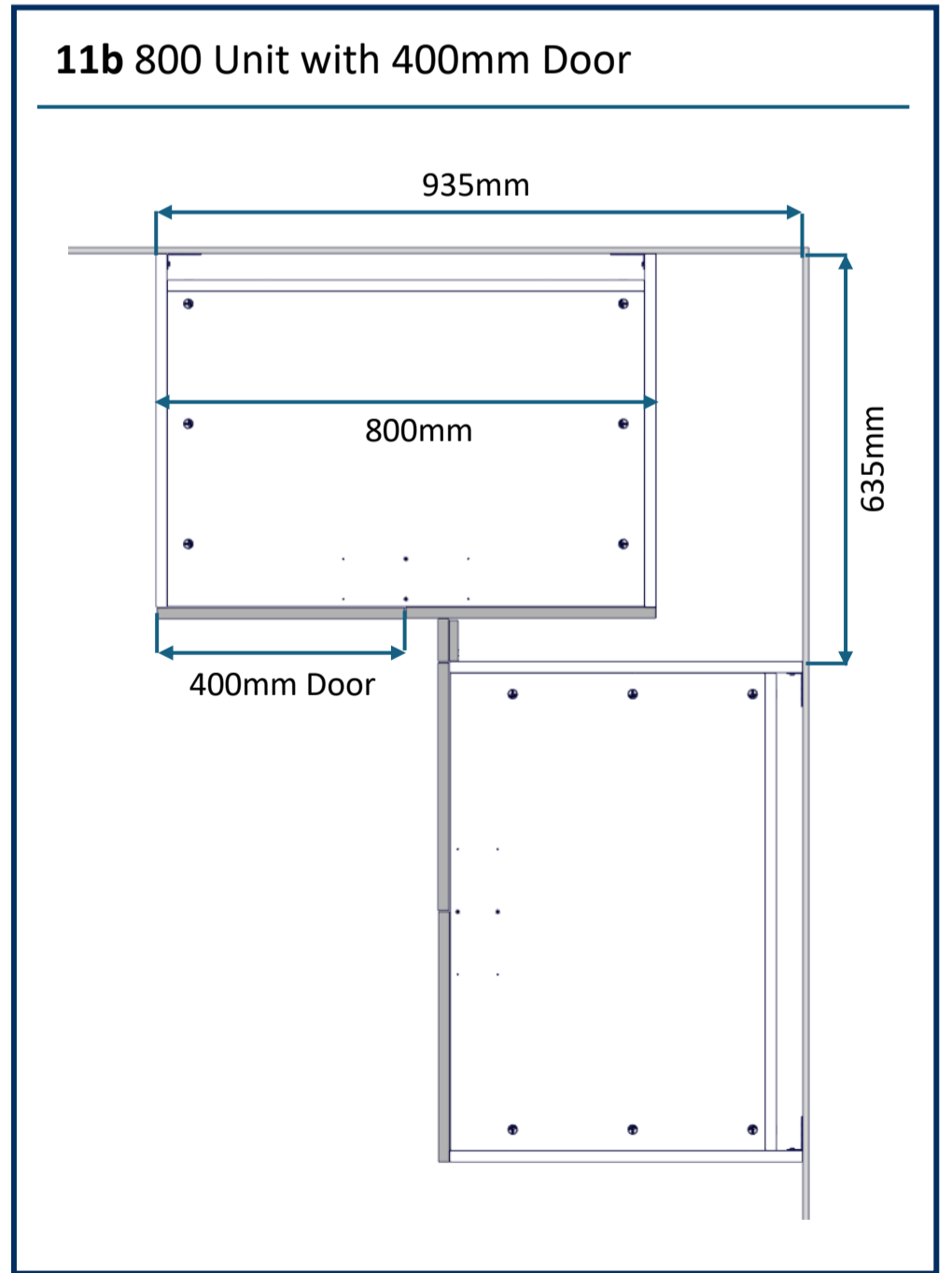
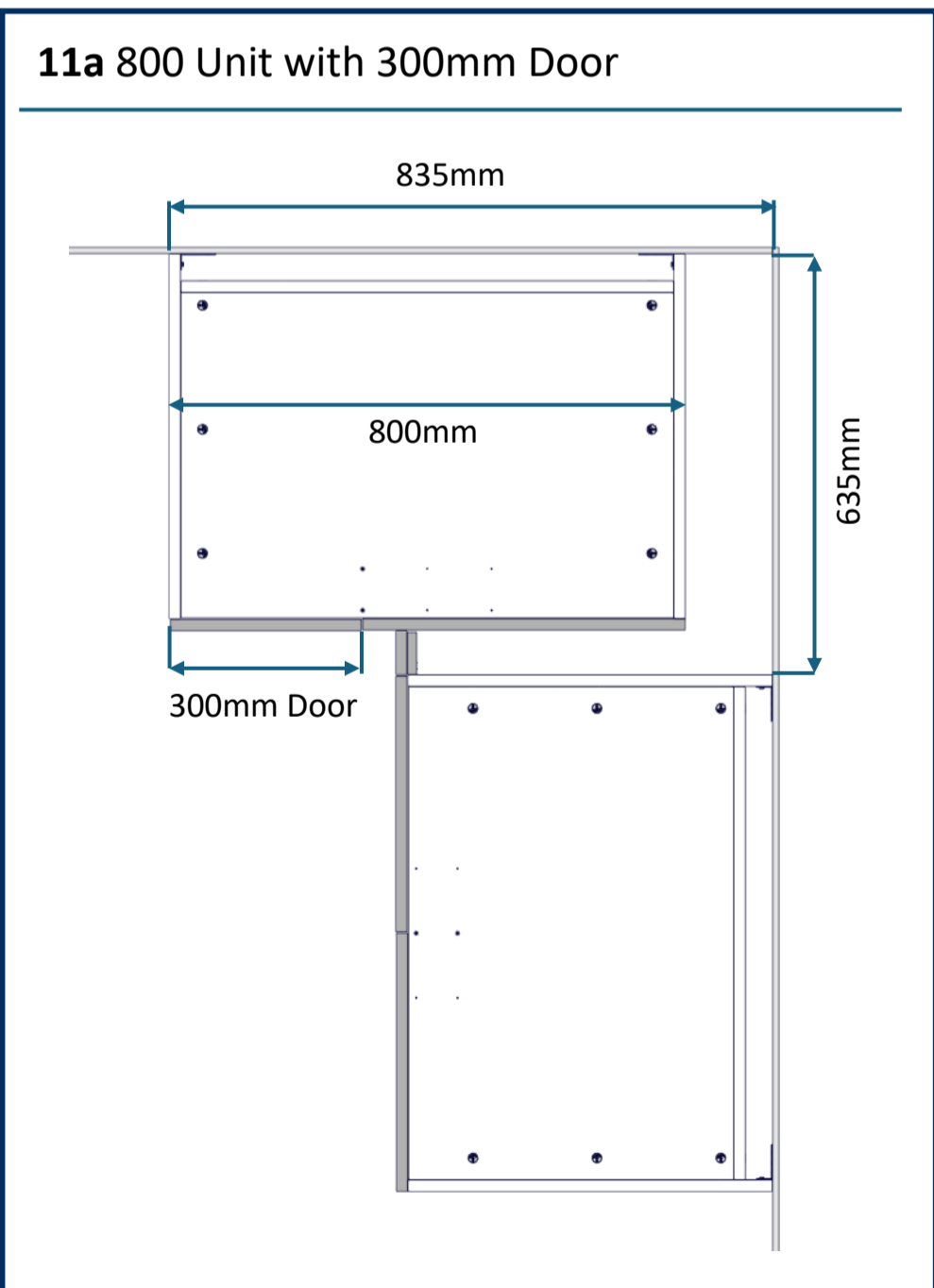
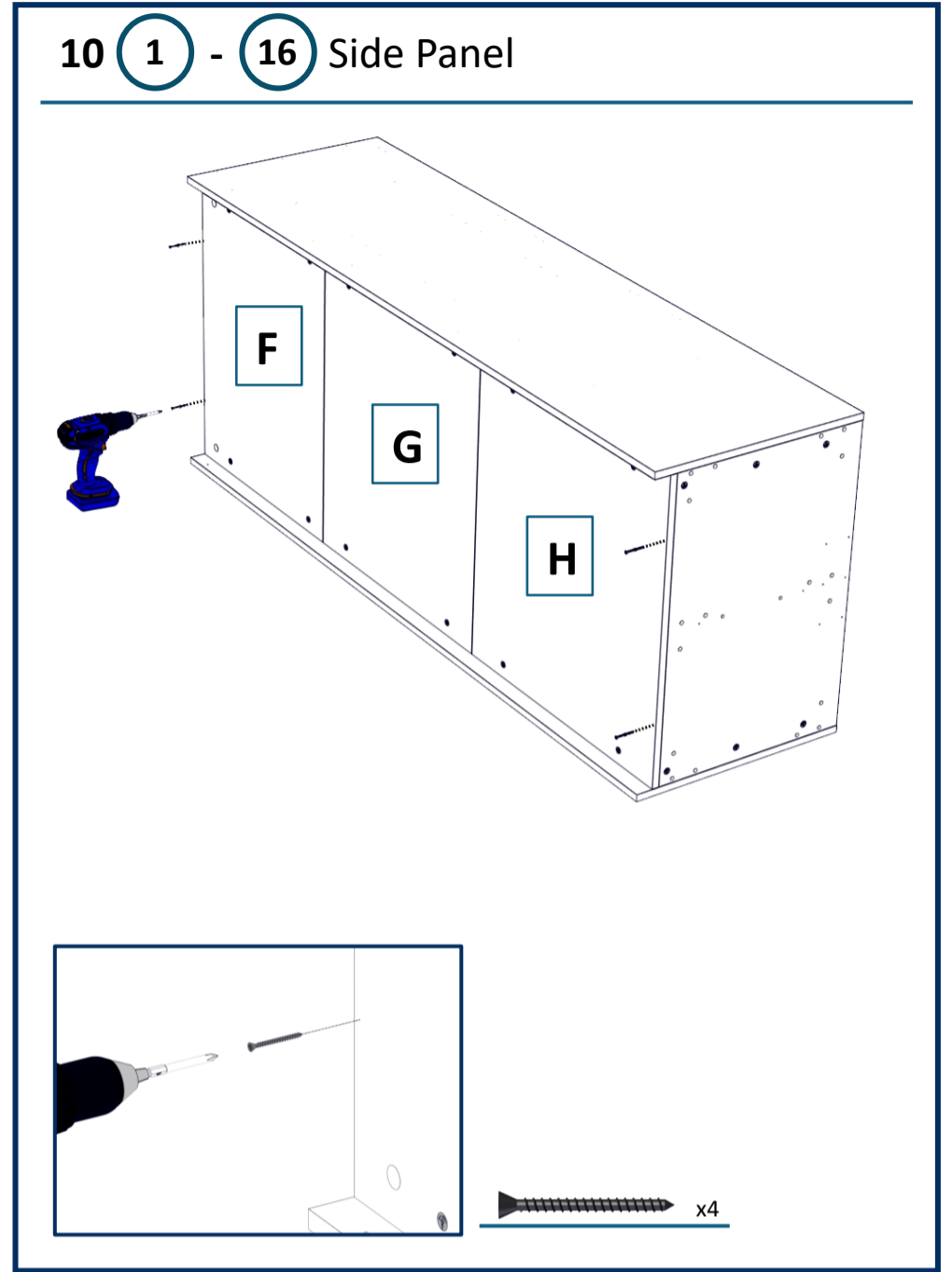
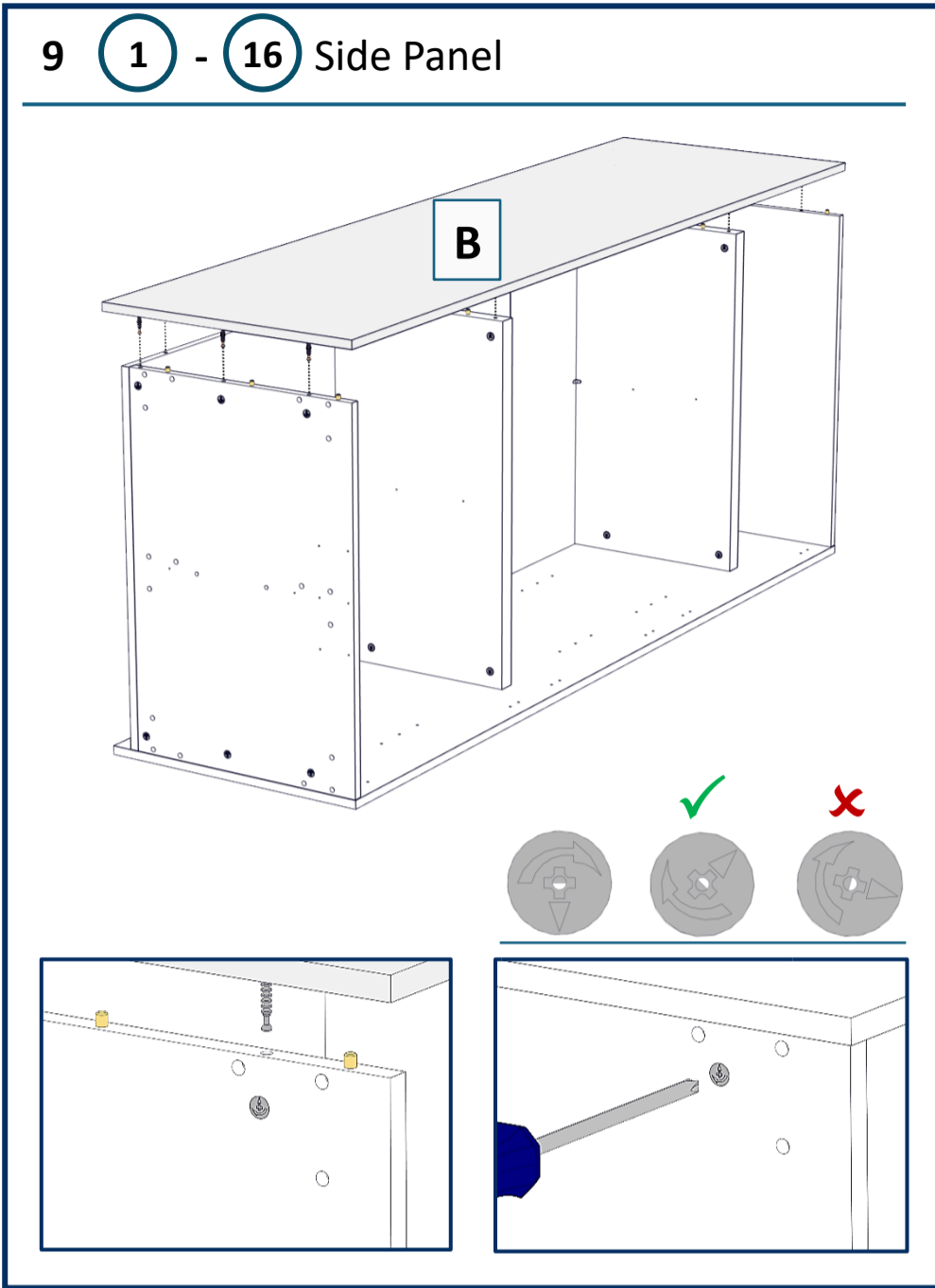


7 1 - 16 Install Back Panels

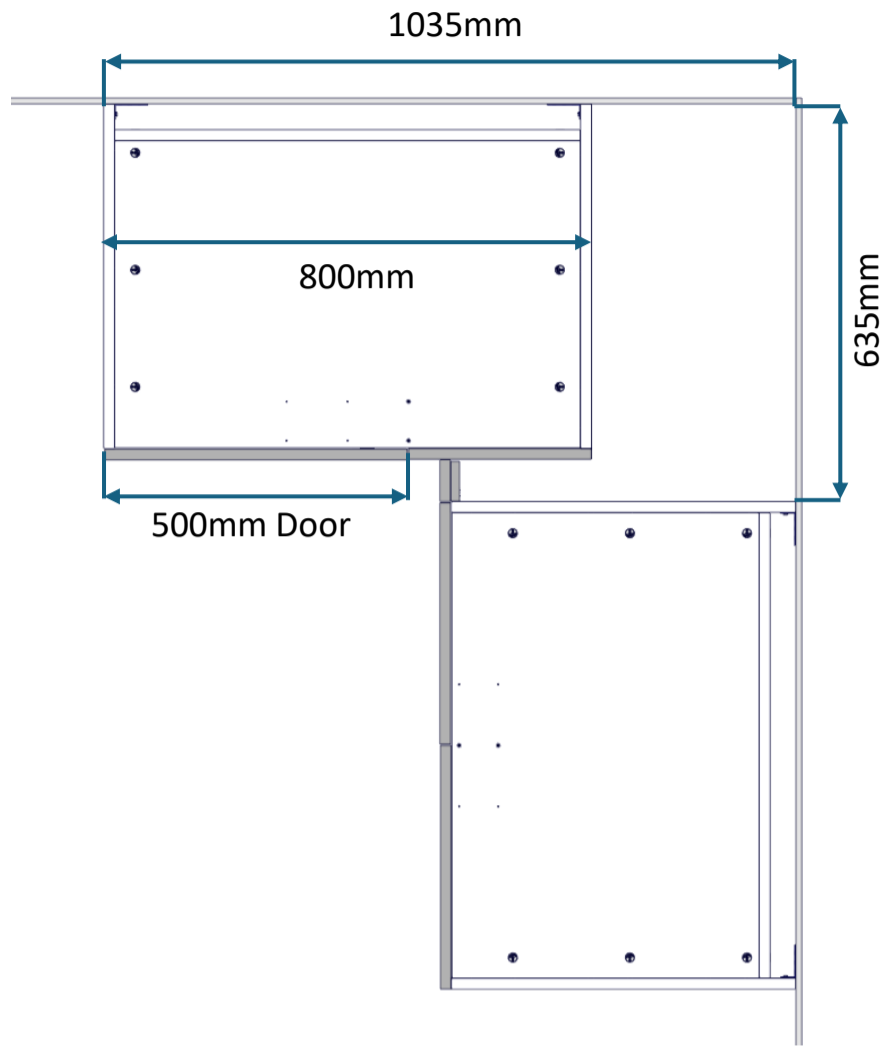


8 1 - 16 Back Panels

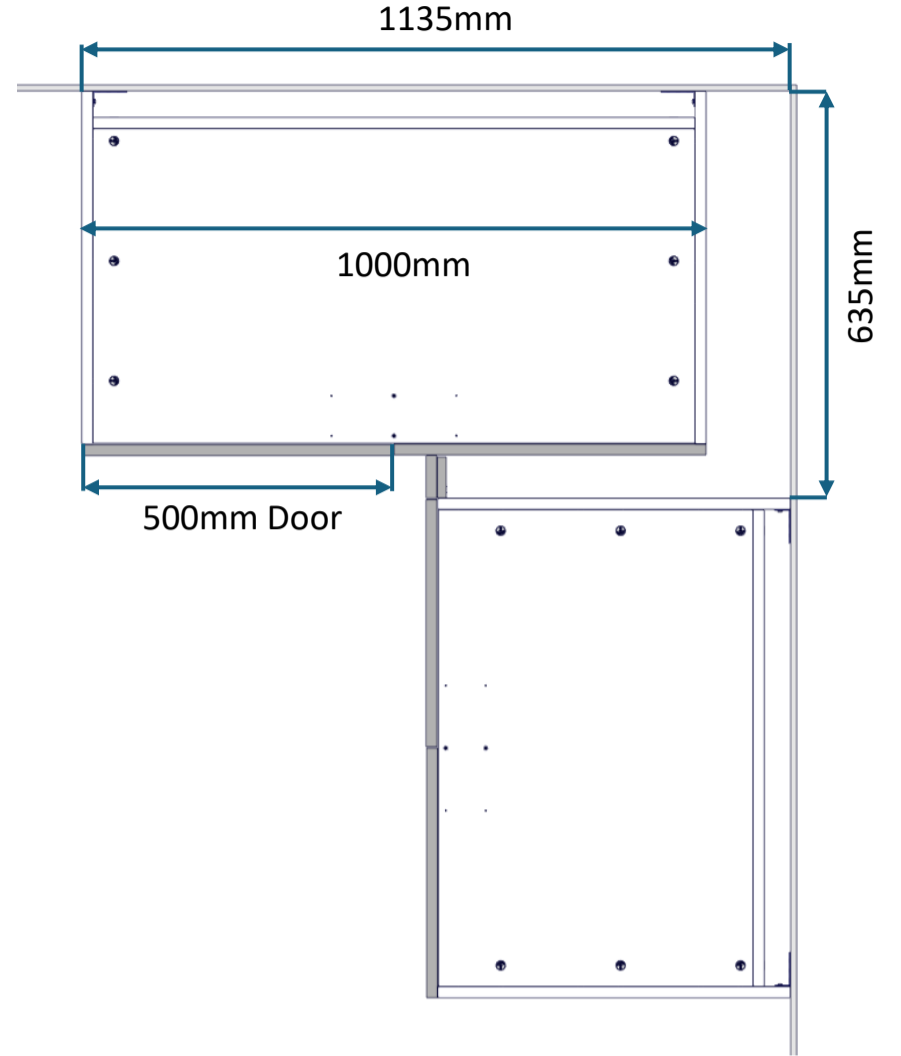




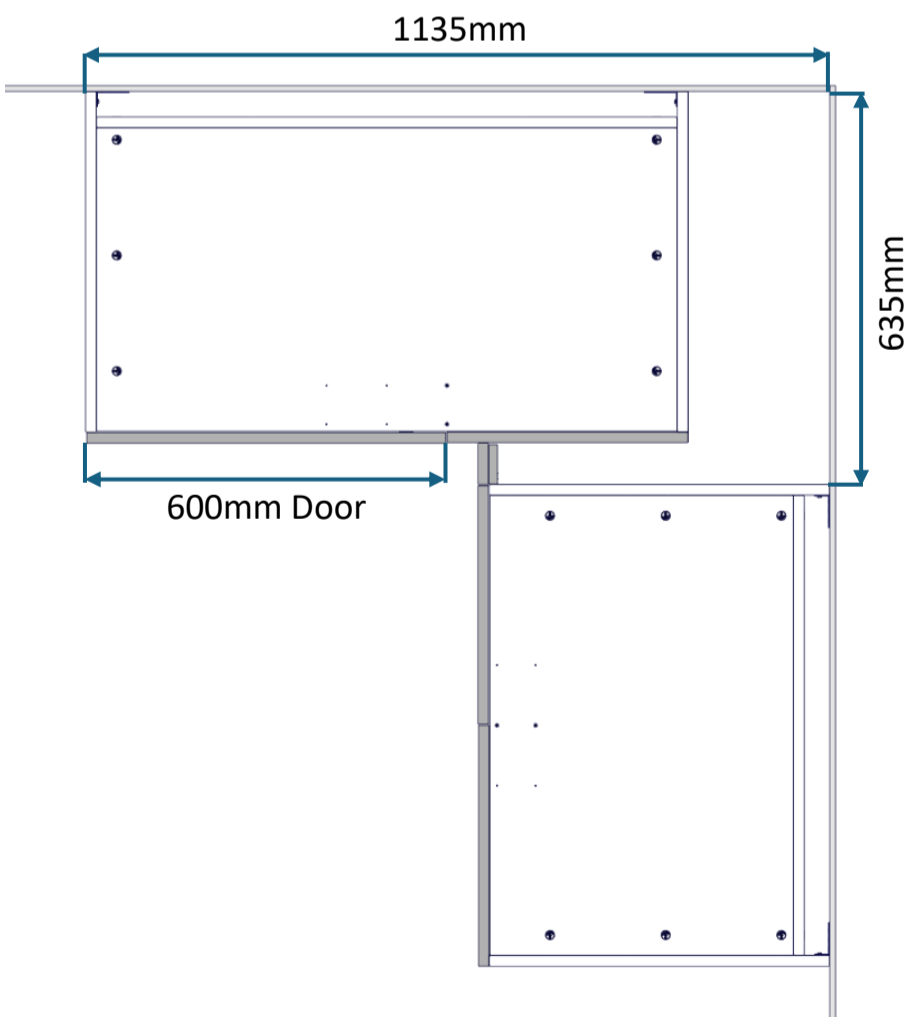
### 11c 800 Unit with 500mm Door



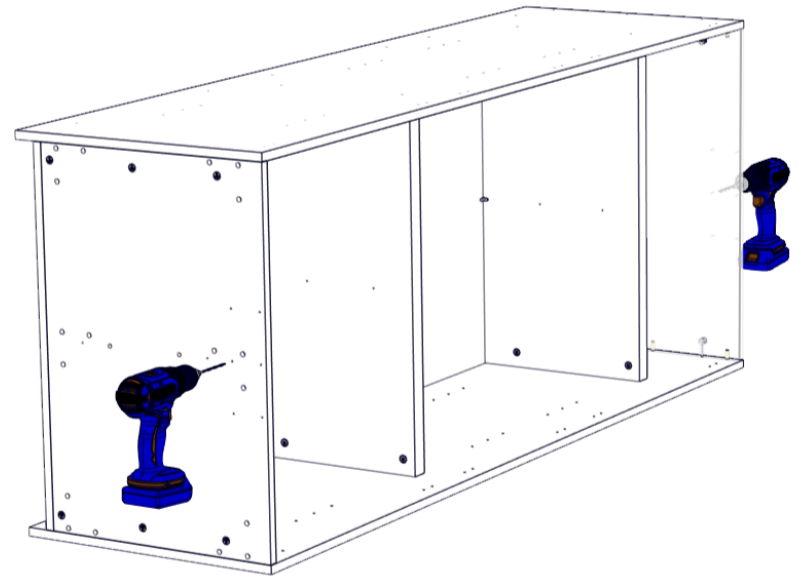
### 11d 1000 Unit with 500mm Door



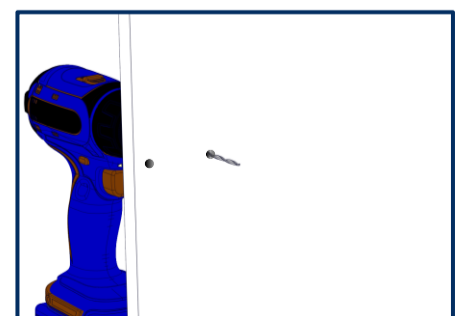
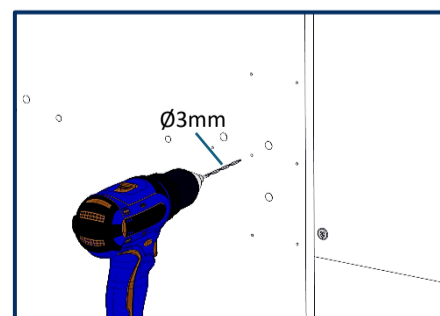
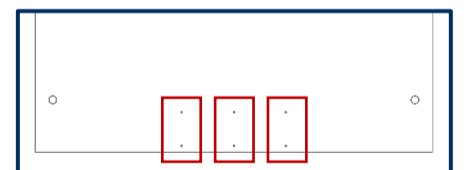
### 11e 1000 Unit with 600mm Door



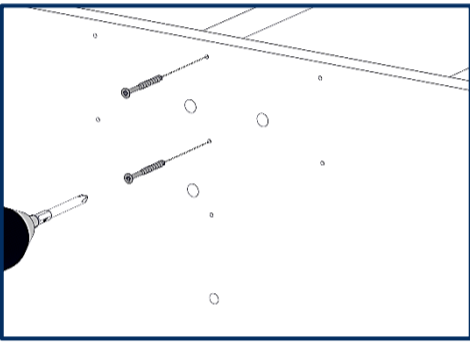
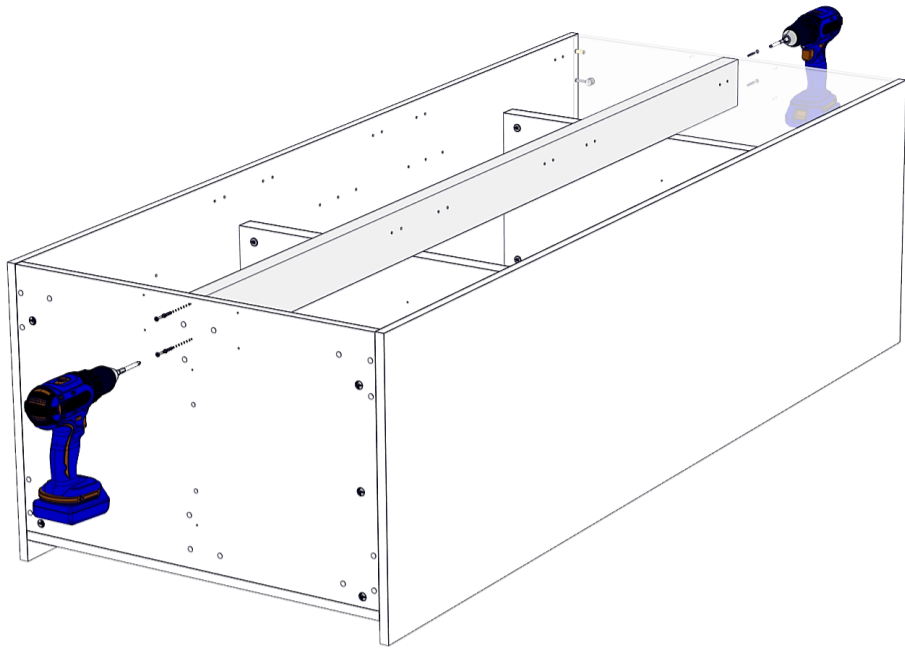
### 12 1 - 16 Drill for Centre Post



Drill the necessary holes for the post position

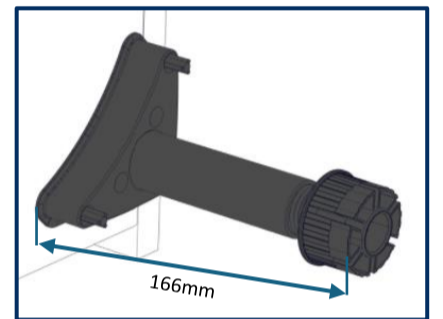
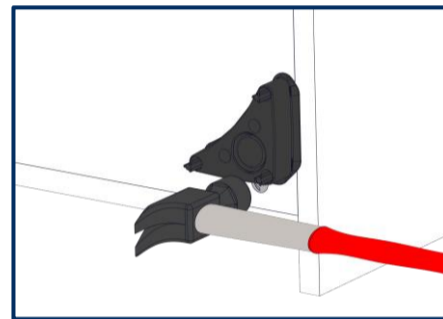
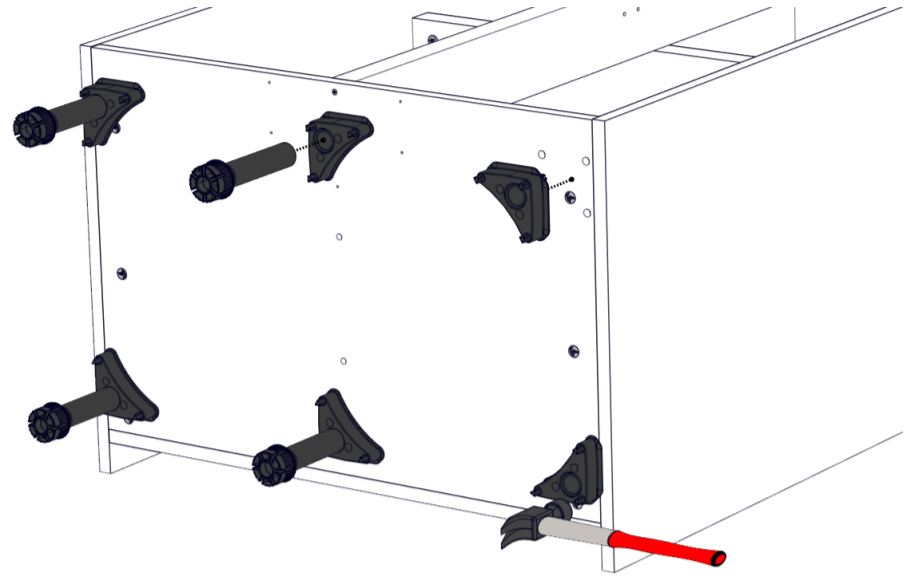


13 1 - 16 Attach Centre Post

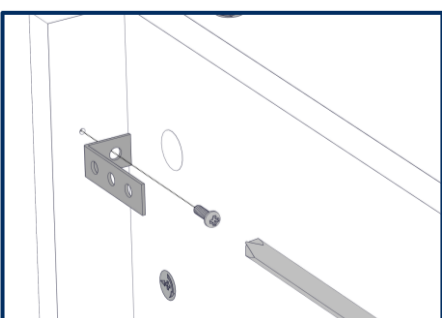
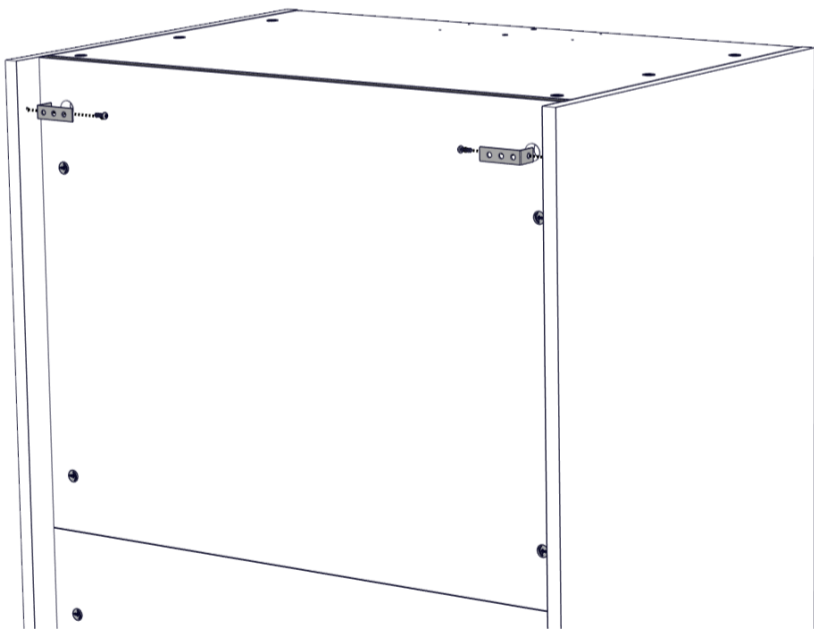




 x4

14 1 - 16 Install Legs



15 1 - 16 Install Wall Brackets



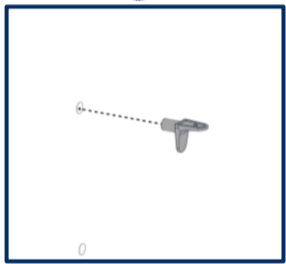
 x2  x2

16 1 - 16 Fix to Wall



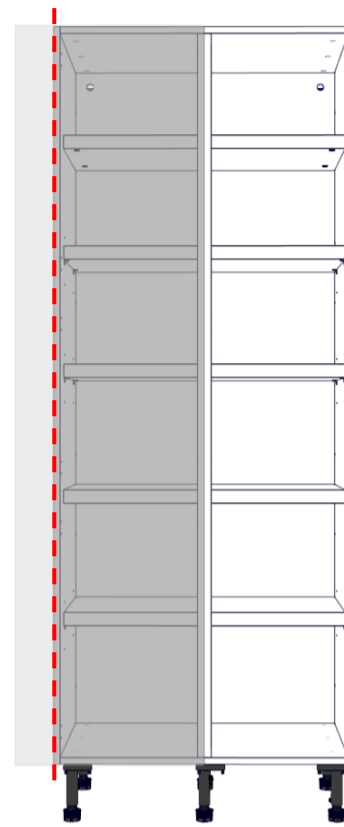
**Note:** Wall fixing screws are not supplied due to different wall types requiring different fixings.

### 17 1 - 16 Add Shelf Studs and Shelves



x5/x15 | x10/x20

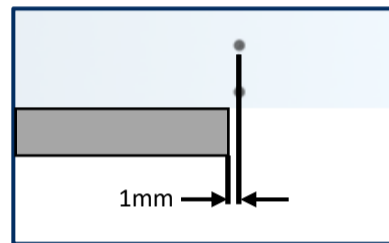
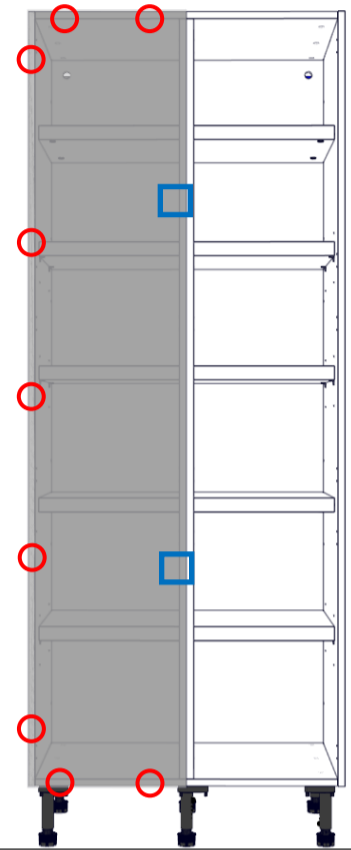
### 18 1 - 16 Fixing the Blanking Panel



**Note:** Cut the DTEP End Panel to the correct size.

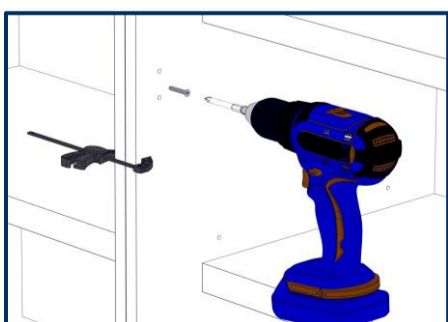
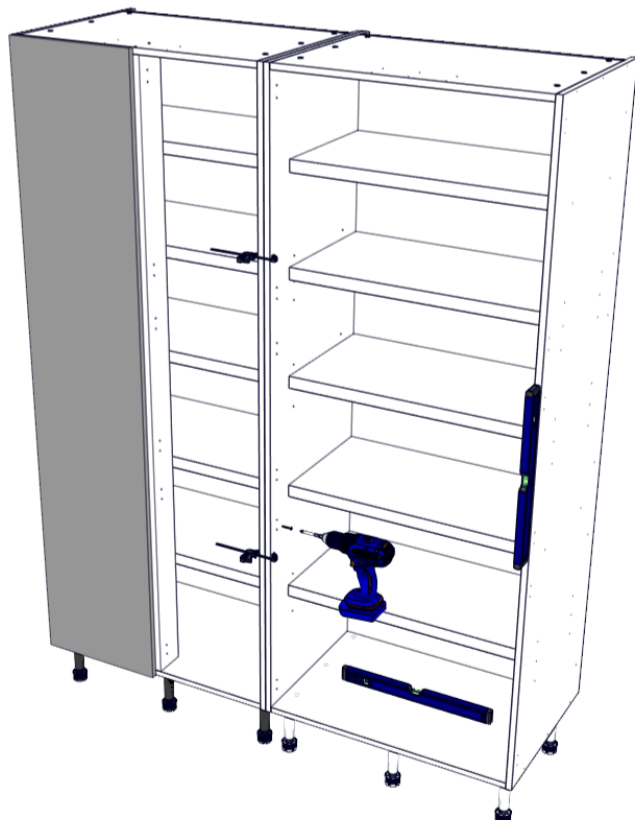


**Note:** Screws are not provided for the End Panel installation.

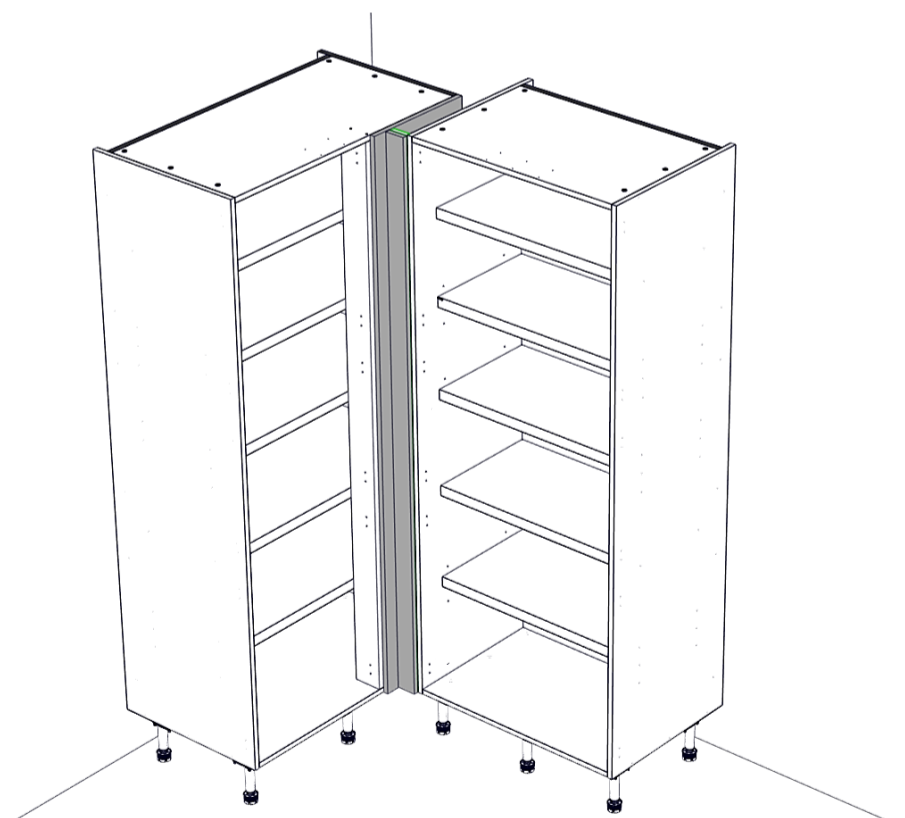


**Note:** It is recommended to fix the post to the blanking panel using L-brackets.

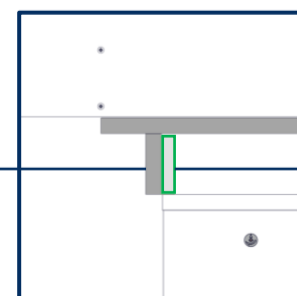
### 18a 1 - 16 Fixing Adjacent Cabinets



### 18b 1 - 16 Fixing Adjacent Cabinets

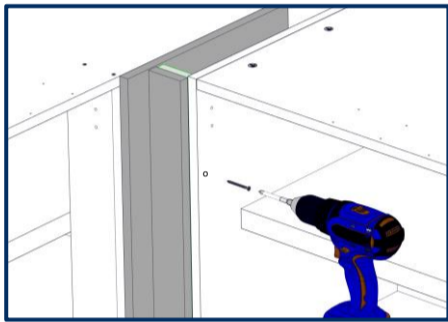
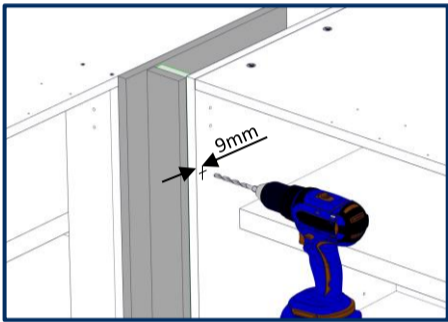
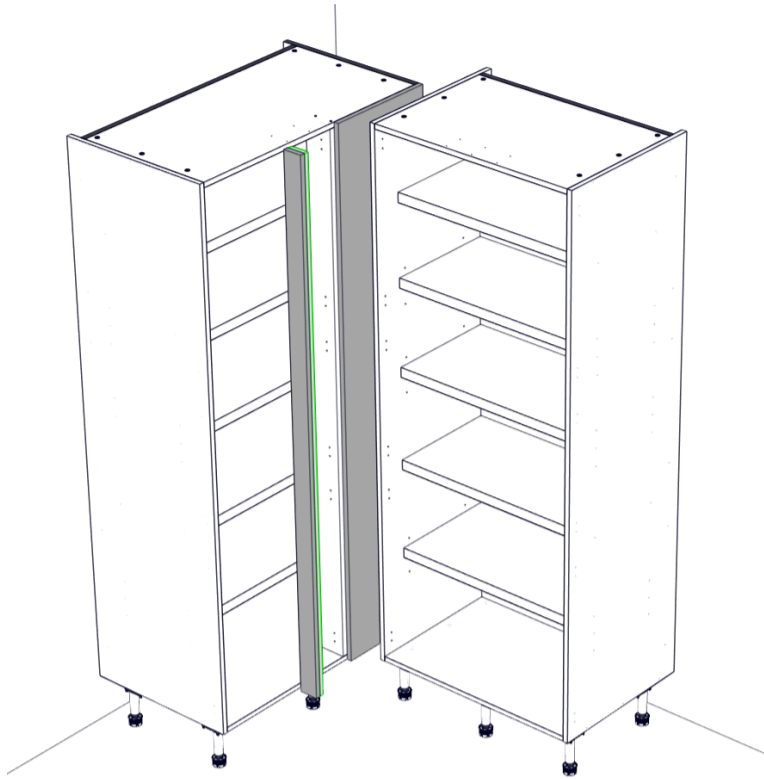


**Note:** Use the offcut from the DTEP End Panel to make part of the Corner Post.

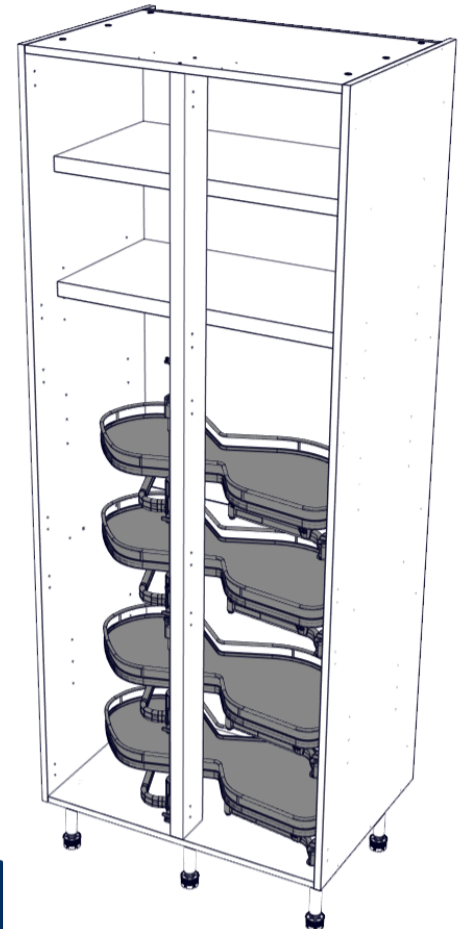


**Note:** Where applicable, we recommend fixing a scrap piece for easier installation.

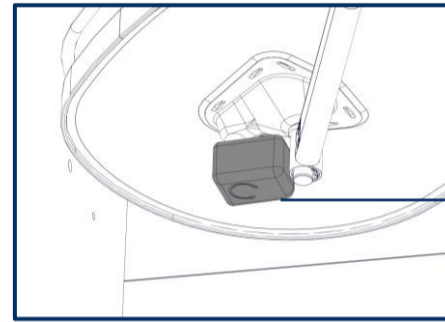
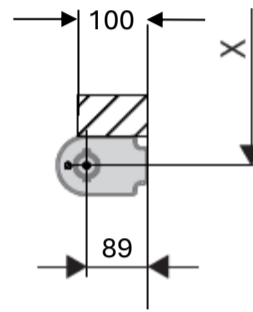
18c 1 - 16 Fixing Adjacent Cabinets



19 1 - 16 Installing the LeMans Trays

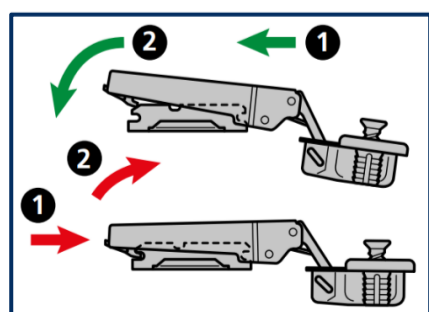
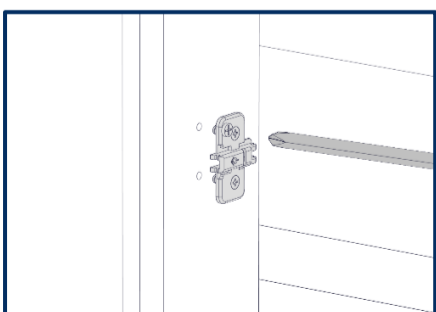
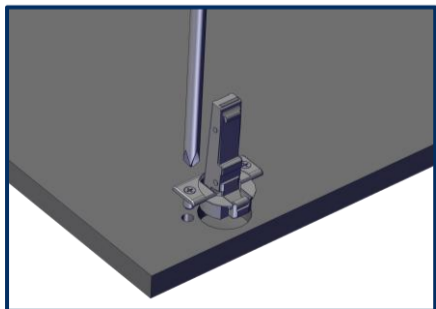
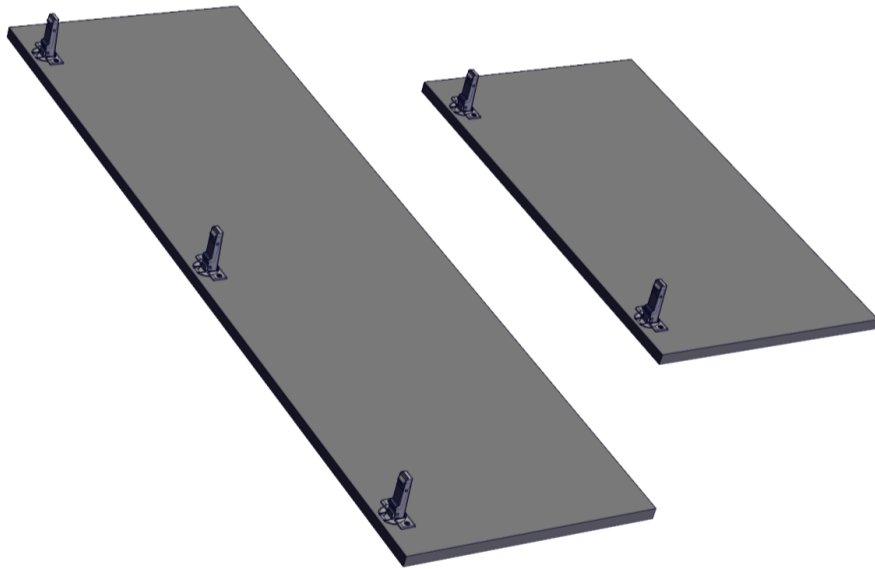


**Note:** Refer to drilling position below, instead rather than on page 4.



**Note:** Turn the restrictor to the maximum amount so the trays do not clash with the post.

20 1 - 16 Door Fitting



21 1 - 16 Door Adjustment and Joining

