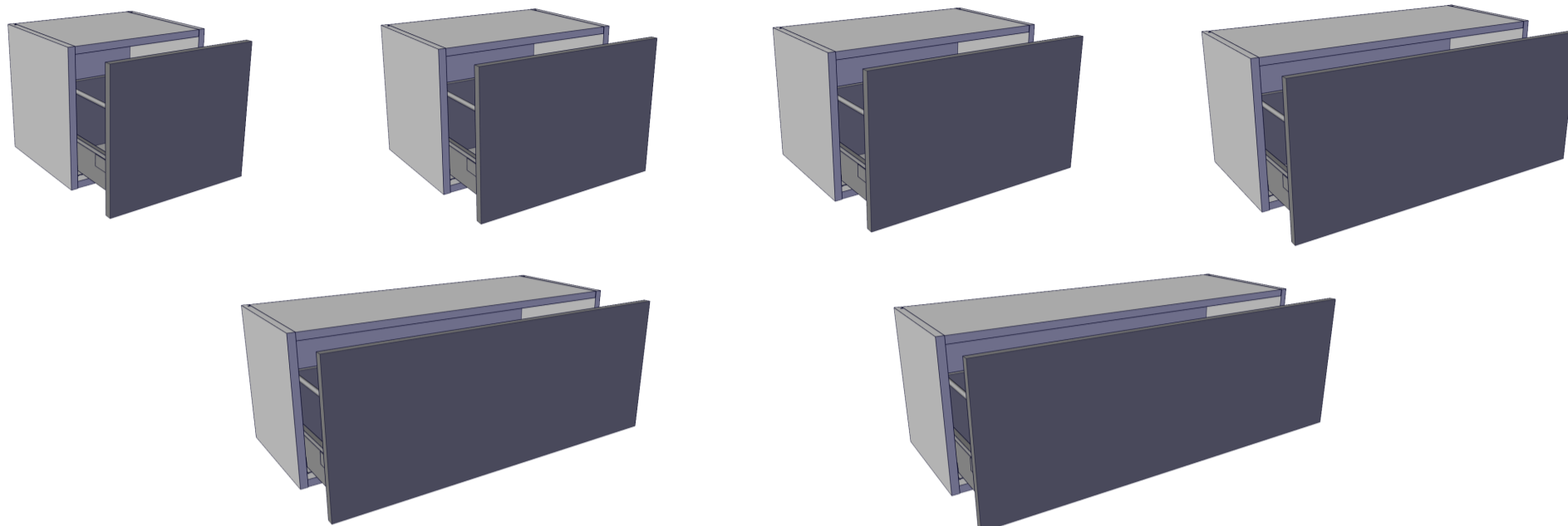




**Manufacturing Guild Mark**

Awarded by The Furniture Makers' Company

# Wall Hung Drawers



**Please read these instructions carefully before proceeding.**

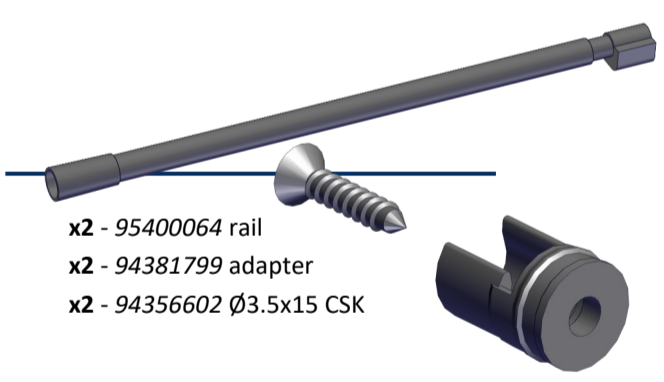
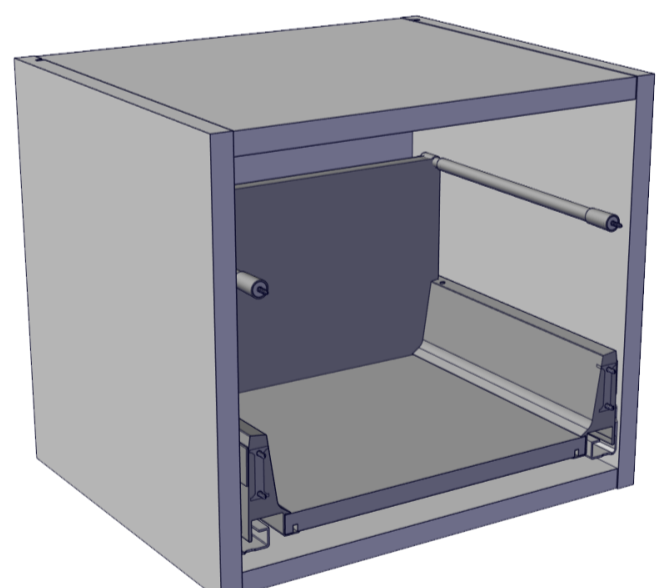
This instruction is used in conjunction with the Installation Guide.

**Important:** Installation shall be carried out exactly according to the manufacturer's instructions otherwise a safety risk can occur if incorrectly installed.

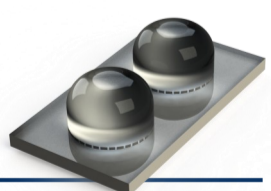
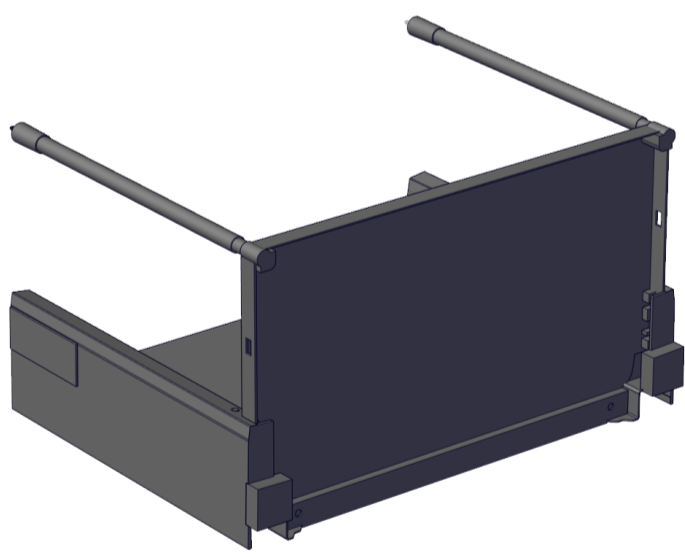
**Warning:** In order to prevent cabinets overturning or falling down, they must be used with the wall attachment device(s) provided. Before fixing any cabinets to the wall, ensure the wall construction is capable of taking the weight of the loaded cabinet and the appropriate fixings are used. If in doubt, consult an expert.

**Note:** Wall fixing screws are not supplied due to different wall types requiring different fixings.

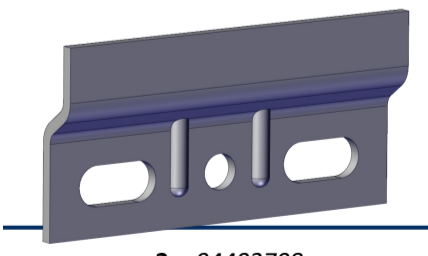
**Caution:** Some small pieces of hardware could be hazardous to small children. Keep all of these items out of reach and do not leave children unattended in the assembly area.



x2 - 95400064 rail  
 x2 - 94381799 adapter  
 x2 - 94356602 Ø3.5x15 CSK



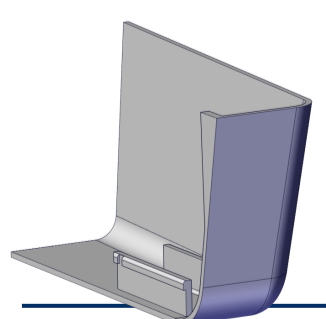
x2 per frontal  
 94405709



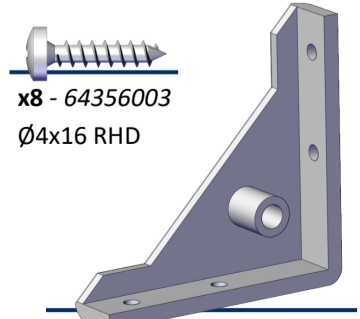
x2 - 94402708



x2 - 94406413  
 x4 - 94358032  
 Ø3.5x16 RHD



LH White - 95500016      RH White - 95500017  
 LH Grey - 95500018      RH Grey - 95500019



x8 - 64356003  
 Ø4x16 RHD

x2 - 92330128



**Manufacturing Guild Mark**

Awarded by The Furniture Makers' Company

# Wall Hung Drawers

**1 Remove the Drawer**

Lift and drop to remove the drawer

**2 Remove Drawer Runners**

x3 each side

**3 Fit Corner Gussets**

Place corner gussets on rear corners

x2      x8

**4 Drill Through Back Panel**

Drill from the rear of the cabinet through the back panel

**Note:** It is recommended to use a scrap piece of timber on the other side to protect the back panel when drilling

**5 Hanging the Cabinet**

Cabinet Width -40mm

30mm

DATUM LINE

Distance Desired

To floor

x2

**Note:** Wall fixing screws are not supplied due to different wall types requiring different fixings.

**6 Levelling the Cabinet**

Up / Down

Secure to wall

Fit cover

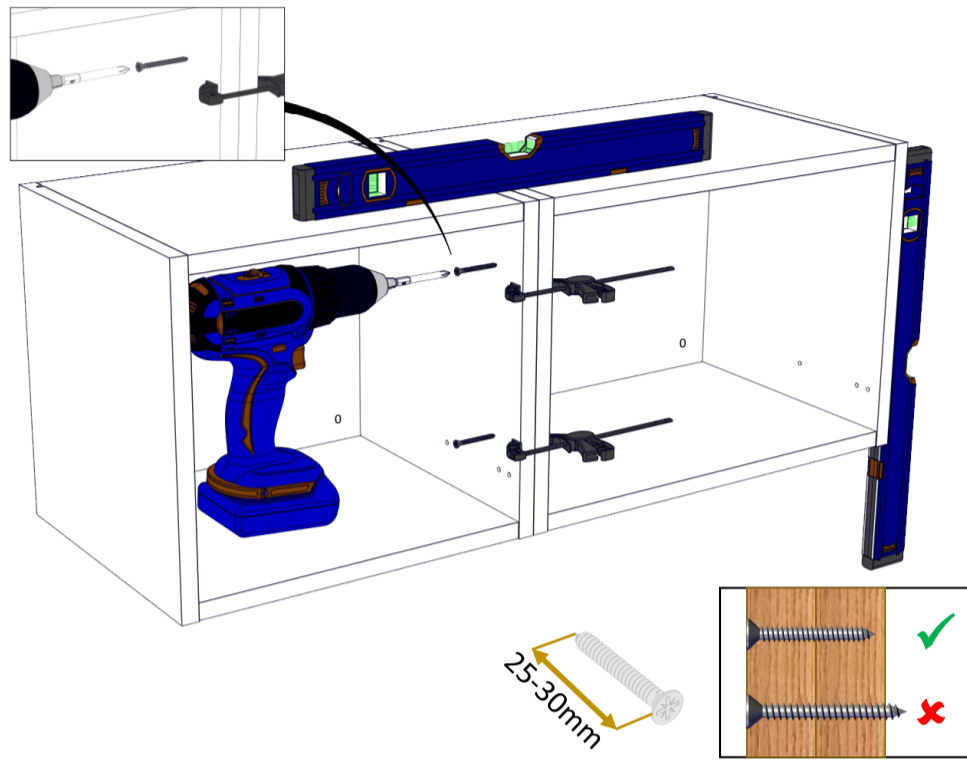


**Manufacturing Guild Mark**

Awarded by The Furniture Makers' Company

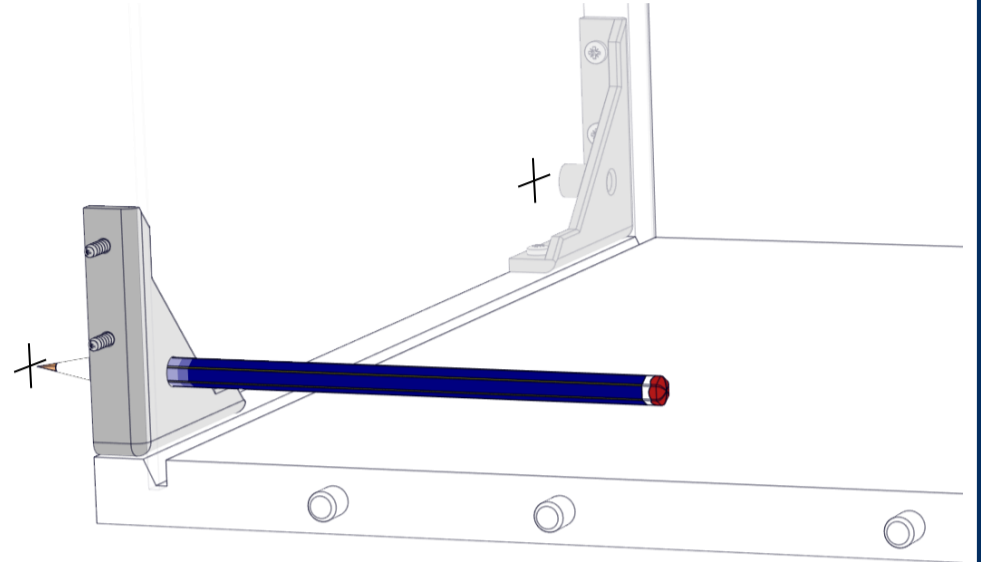
# Wall Hung Drawers

## 7 Connecting Cabinets

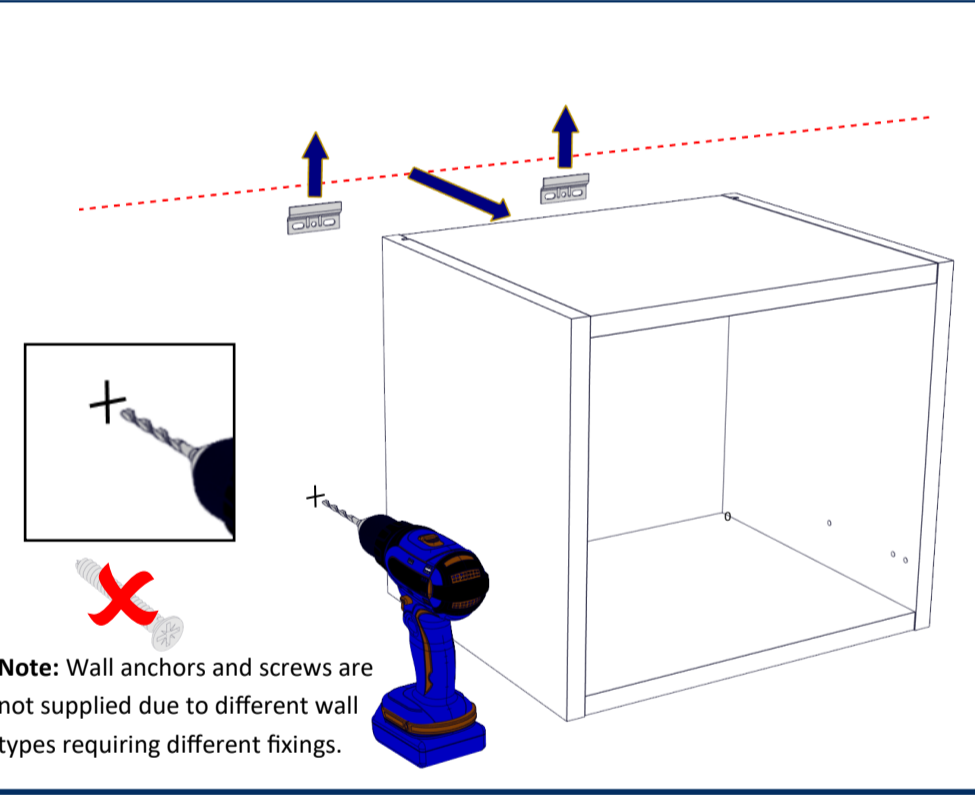


## 8 Mark Wall for Corner Gusset

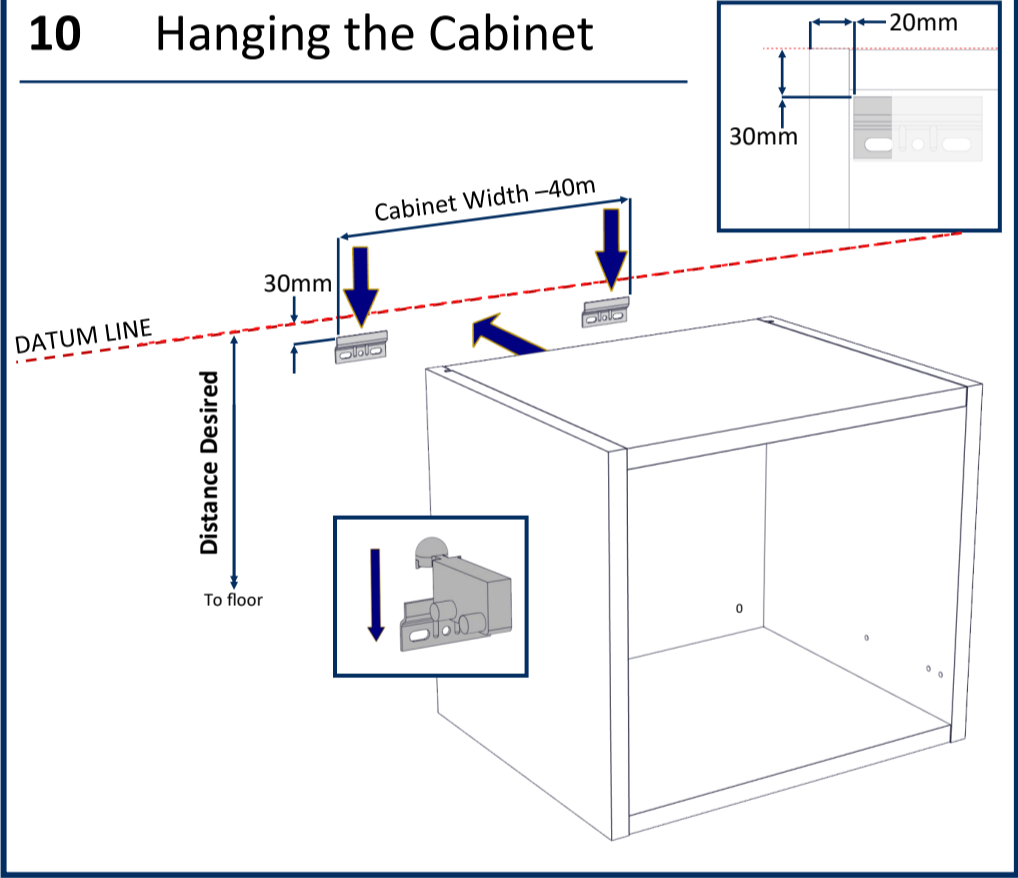
Mark the wall through the hole / gusset from inside the cabinet



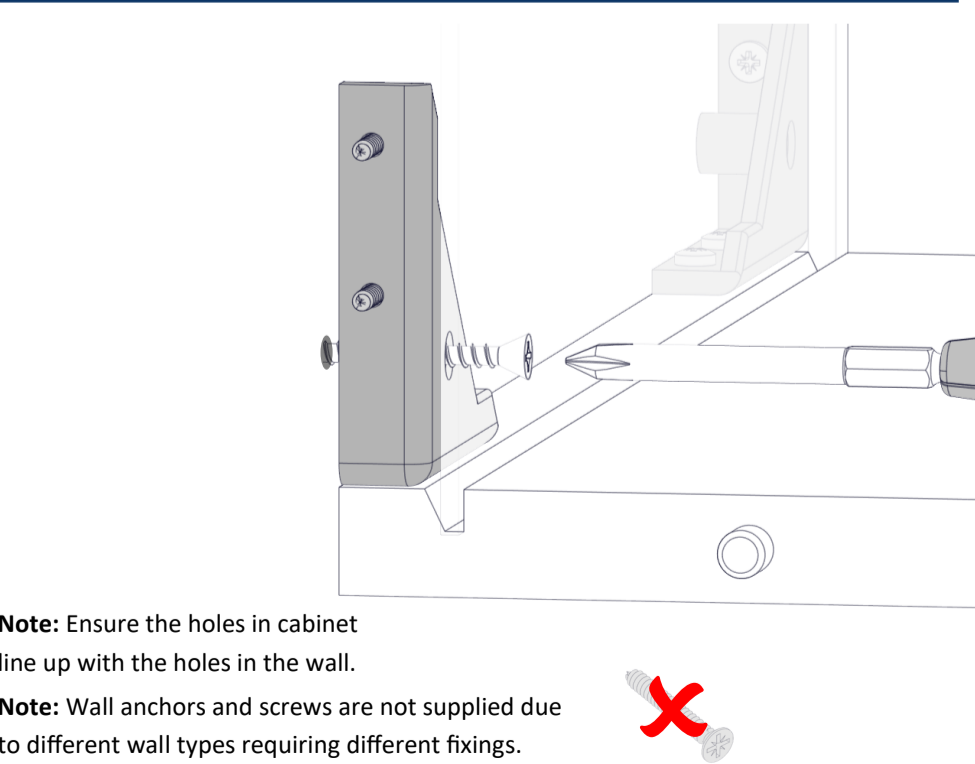
## 9 Remove Cabinet & Drill Wall



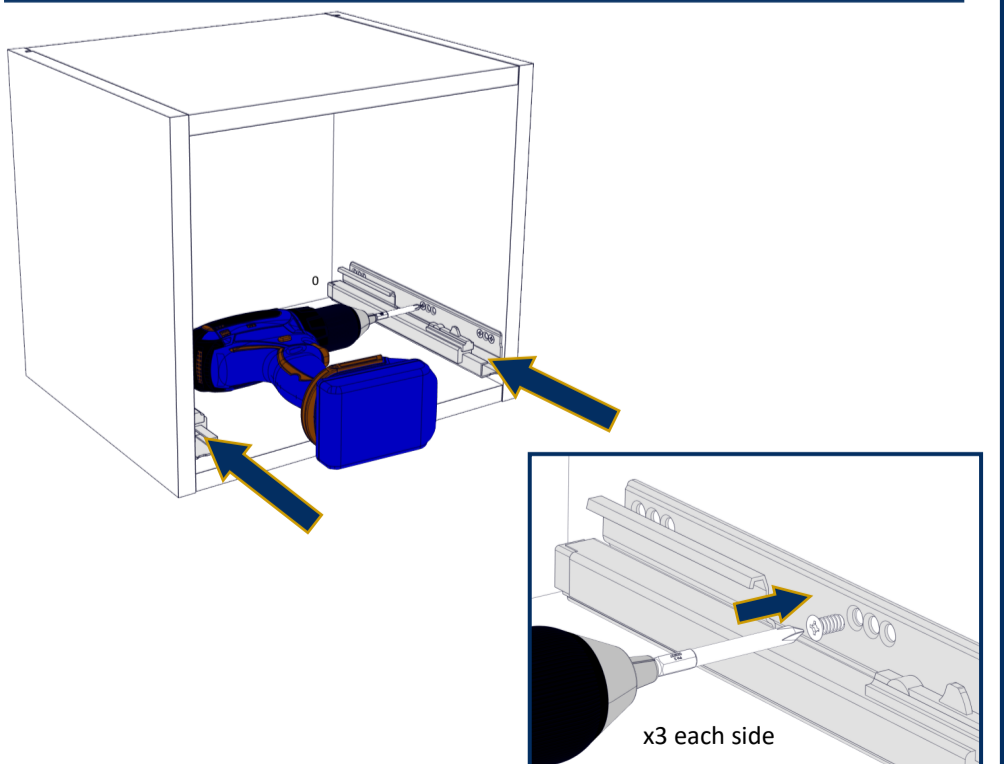
## 10 Hanging the Cabinet



## 11 Securing the Corner Gusset



## 12 Add Drawer Runners





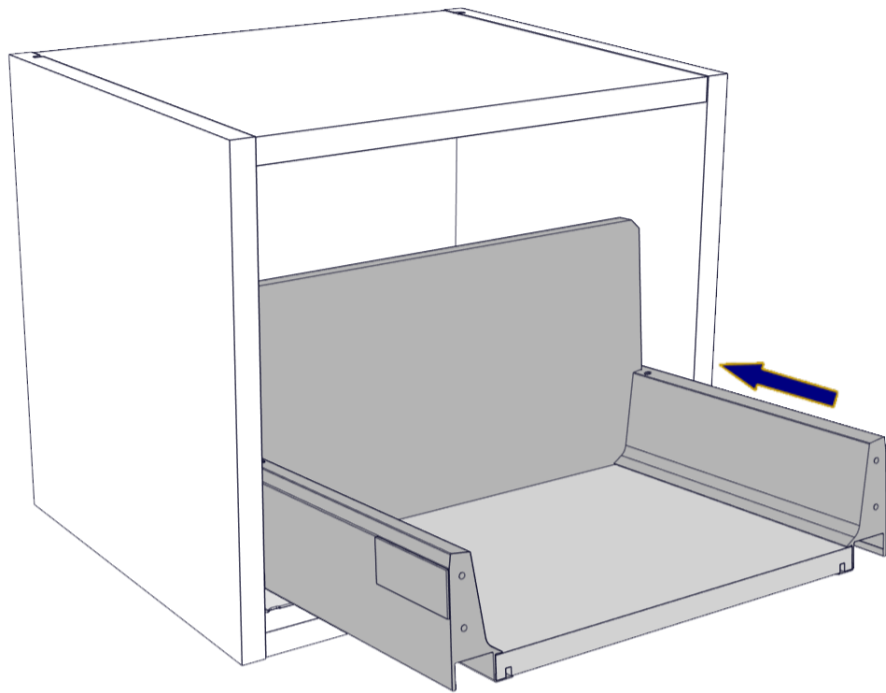
**Manufacturing Guild Mark**

Awarded by The Furniture Makers' Company

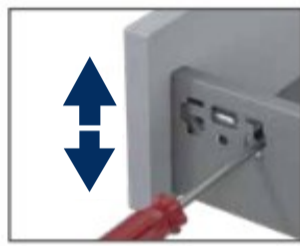
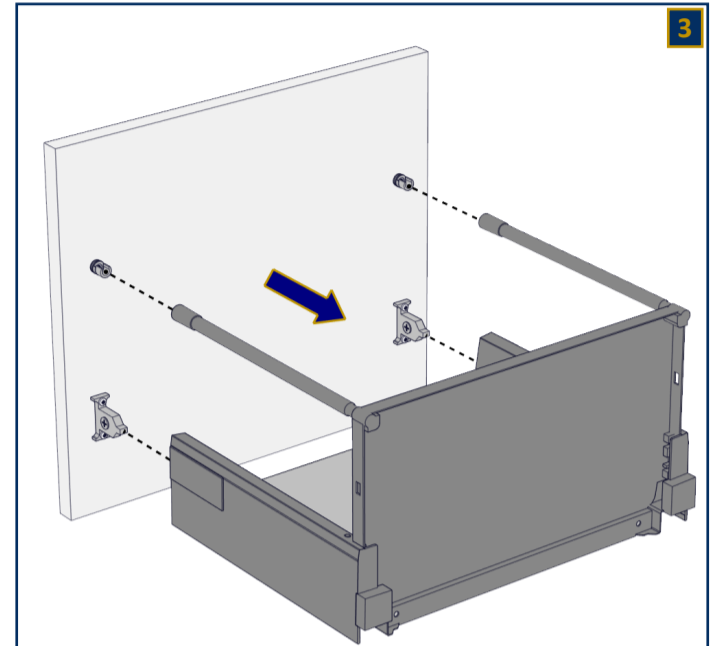
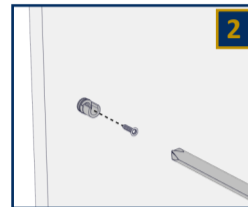
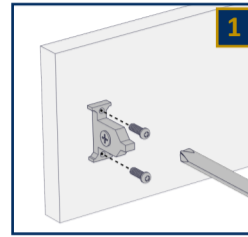
# Wall Hung Drawers

## 13 Add Drawers Back into Cabinet

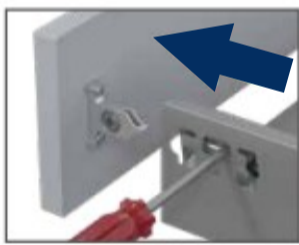
Push drawer onto runners until it clicks



## 14 Adding Drawer Fronts



Drawer frontal adjustment



Remove drawer frontal

Fit cover cap

