

# RØROS<sup>®</sup> HETTA

Product catalogue 2022-2023

[roroshetta.uk](http://roroshetta.uk)

**Magnet**  
Better. By design

# RØROS<sup>®</sup> HETTA

1946



1962



1986



2022



# A JOURNEY OF HAND-CRAFTED AGILITY

**The story of RørosHetta is interwoven with that of the remote and charming UNESCO World Heritage site, the village of Røros.** This historic copper-mining town is home to colourful wooden houses that date back to the 1700s and known for its strong community spirit. Often described as 'a place of whispering history' Røros remains one of the most enchanting places in Norway.

For centuries the copperworks in Røros delivered world-class craftsmanship and engineering. In this magical mountain town, tradition and innovation have always gone hand-in-hand.

It is therefore no surprise that Røros Metall, is still driven by that same community spirit today, showcasing their world-class craftsmanship and innovation with RørosHetta cooker hoods. The 3rd generation family business started in 1946, after the Second World War, as a Metal work-shop, utilising mostly locally mined copper as raw material for their craft to rebuild Norway. With agility, determination and innovation, the business adapted with the changing times, from stove-plates and fireplaces to caravans and corner fridges, before carving a name out for themselves as a leading brand in kitchen ventilation.

Today, hundreds and thousands of homes adorn the hoods of RørosHetta.

RørosHetta hoods are unique in many aspects. The ability to completely customise both the dimensions and colours of the hoods, brings a truly bespoke finish to the kitchen. Furthermore, the SENSE smart technology brings a world-first level of care to the kitchen, looking after both the well-being and comfort of the family.

"Our starting point has always been offering silent and exceptional kitchen ventilation, but we believe a cooker hood should be so much more. With almost half of house fires originating from kitchen appliances, and with all the new research highlighting the dangers of indoor pollution, we felt it vital to bring a new standard of care that looks after the wellbeing of our customers" says Håvard Augensen, CEO of RørosHetta.



Standing the test of time by investing in technology and design.



Scan the code with your mobile and read the story of RørosHetta.

**THANKS TO:** Sigdal, HTH, Norema, Strai Kjøkken, Huseby, JKE, Marbodol, Magnet, Drømmekjøkken, Ballingslöv, Tvis Kjøkken, Designa, Kvik, Os Trekultur and Toniton.

ADAPTS TO  
YOUR NEEDS



*Mantica Island 90 in brushed brass*

# THE WORLD'S SMARTEST COOKER HOOD



**RørosHetta continues its journey in breaking boundaries when it comes to cooker hoods.**

With launching integrated smart technology and with life-saving features that brings a new level of comfort and care to the kitchen. Two of the important health and safety issues the RørosHetta SENSE Hoods aim to address is Indoor Air Quality (IAQ) and Fire Safety.

Poor indoor air quality has been linked to a range of illnesses, including asthma, pneumonia, lung cancer, chronic obstructive pulmonary disease, and cardiovascular disease. With research noting that nearly half of UK homes have hazardous indoor pollution, it makes sense that the cooker hood also regulates air quality to healthy standards. Loss assessors note that cooking appliances account for 48% of accidental fires in the UK, which causes significant material loss, emotional trauma and not to mention the possible loss of human lives. It is therefore essential that more safety features need to be brought into the kitchen to prevent such devastation.



## COMFORT

The RørosHetta SENSE features state-of-the-art brushless motors that consume up to 70% less energy than conventional electric motors and one of the *most silent hoods in the world* running up to 64x more silent than other conventional cooker hoods (read more about noise levels here: page 14).

### HASSLE-FREE COOKING

The RørosHetta SENSE hoods bring further comfort to the kitchen by completely *automating both lights and ventilation*.

The hood has 11 built-in sensors that measure a range of air quality features, such as fine particles (PM2.5), total volatile organic

compounds (TVOC, eCO<sub>2</sub>, humidity, temperature as well as movement). In addition, it has automatic LED lights that have colour temperature rendering ability to adapt to match the colour warmth of your other kitchen lights or mood.

Using a variety of complex algorithms, the SENSE hood knows exactly how to respond to ensure optimal ventilation by *adjusting extraction speed*, thus ensuring *hassle-free cooking, minimum noise-levels, minimum energy usage, less greasy deposits elsewhere in the kitchen and a healthy indoor air quality throughout the day*. The hood will automatically switch off once cooking is completed.

## FULL CONTROL OF YOUR INDOOR AIR QUALITY



## ENSURES CLEAN AIR



*RørosHetta SENSE can adapt to your indoor air quality, based on the World Health Organization's recommendations.*

### COOKING PRECISION

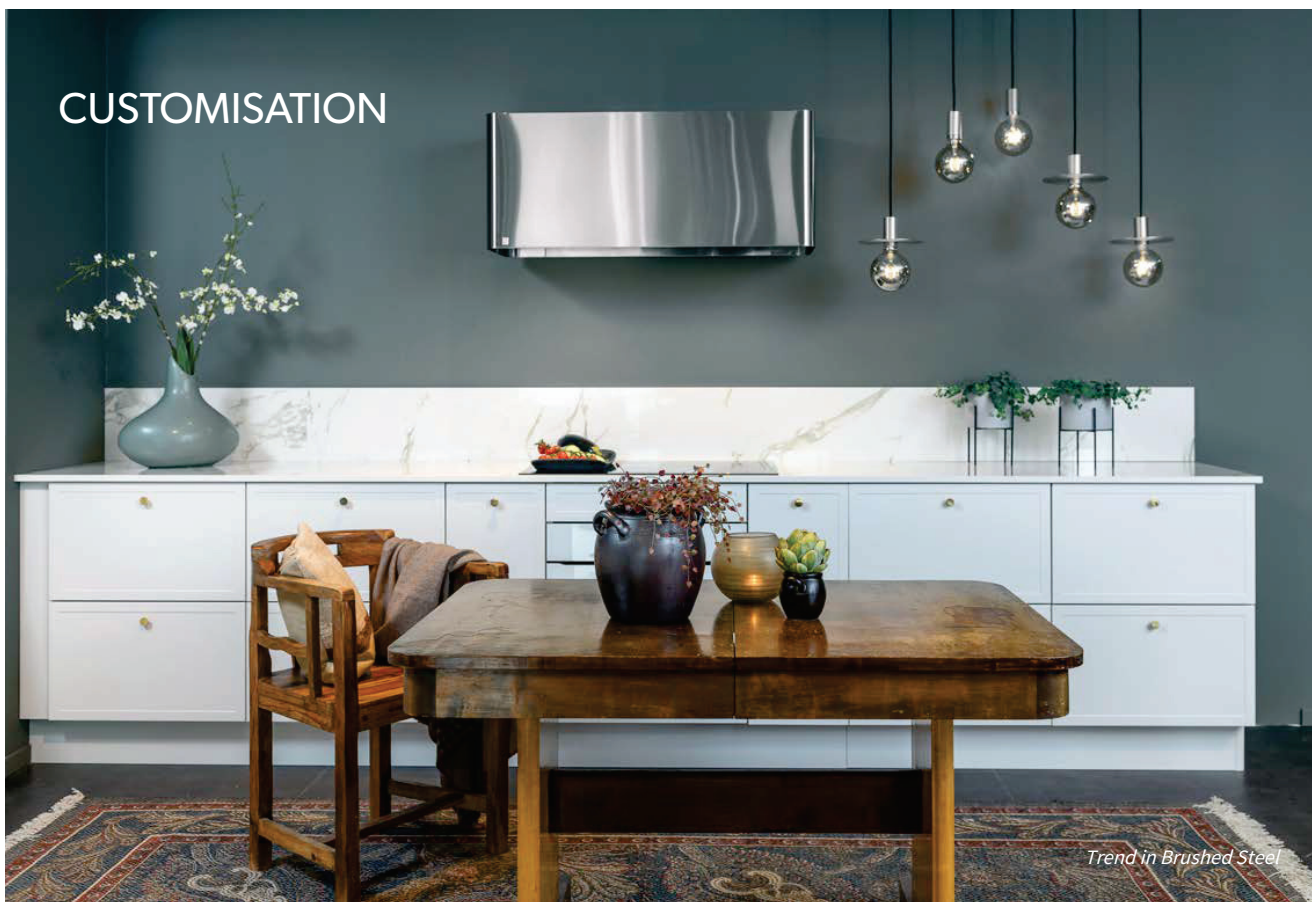
Ovens give users the ability to cook at a fixed temperature, allowing cooking precision, but this has not been the case with hobs. Perfecting the hob temperature is tricky and understanding recipe instructions such as 'med-low heat' is confusing at the best of times. On top of that, the temperature of different hob brands varies drastically when it comes to their level-settings.

With the SENSE smart-cooking function, users can see the temperature of their hob worktop, therefore greatly reducing the variability and risk in the cooking process and allowing much better management. Both the experienced and inexperienced cooks can take on riskier recipes with confidence and cook with greater ease and less hassle.

### LONG-LIFE ODOUR FILTER (RECIRCULATION ONLY)

Whilst most hoods require changing their carbon (odour) filters every 1 to 3 months, our long-life Monoblock filters last up to 5 years! (900 hours of cooking) That's 60 times longer than conventional filters, for added convenience and time saving.

Most filters are also often very inefficient, with as little as 30% odour reduction, thus making very little impact on your kitchen air quality. The result is often a noisy hood and smelly kitchen that really detracts from the cooking experience. Our state-of-the-art filters remove 90% of odour and we've added a special unique coating to remove fish odour. Gone are the days of lingering fish-odour in your clothes or hair and allowing you to wake up to the smell of fresh coffee, rather than last night's herring!!



## CARE

### FIRE SAFETY

With almost half of all fires in the UK starting from the kitchen, the RørosHetta SENSE has proven a very effective way to save lives. The built-in technology alerts users whenever it senses a fire risk, whether it's a hob forgotten on at a low heat or drastic overheating. The SENSE-technology sends an alert to the app to notify the user, sounds an alarm on the hood itself, as well as sending an email notification to selected emergency contacts, which is also an important feature for carers and landlords.

The fire safety feature can be upgraded to Stove Guard functionality, by adding a PCU-unit, this allows the hood to cut the power and switch off any electrical hob in case of fire emergency.

Although most houses are equipped with fire safety items (such as smoke alarms, fire blankets and extinguishers, our Stove Guard helps to prevent a fire from starting.

### INDOOR AIR QUALITY (IAQ)

With 90% of time spent indoors, the subject of indoor air quality has featured in several publications, with a recent study showing that nearly half of homes in the UK have hazardous indoor pollution.

With SENSE indoor air quality control, the hood won't just ventilate the pollutants from cooking, but can automatically regulate and ventilate the home, whenever there is an issue with air quality. The user is notified via smart alert and email whenever air quality drops to hazardous, and when it returns to normal.

### SMART APP

The RørosHetta app is available on iOS and Google Play. The hood functions can be set to manual or automatic, as well as controlled via the app.



GOOD TO KNOW

## Products with SENSE technology

All the hoods supplied with RørosHetta SENSE technology are produced at our factory in Røros, Norway. Whilst there is a wide range of designs to choose from, the motor and technology are all standard. To see which hoods feature this technology, look out for the symbol below.



Look for this symbol to identify cooker hoods that include SENSE technology.



All products that include RørosHetta SENSE are marked with this symbol.

The app is not required to operate the hood, and completely optional, but allows additional features. The app allows smart-alerts for fire-safety and air quality (if opted-in), cloud-integration to store historic air quality data (if opted-in), setting up emergency contacts for safety alert emails and displaying air quality details. The LED colour rendering to warmer colours can only be done through the app. Wi-Fi is required for cloud-integration and email alerts are set up through the app during the initial instalment.

The stylish SENSE hoods are all customisable to colour match kitchens as well as the ability to customise dimensions for the truly bespoke finish. All the SENSE hoods are environmentally friendly with A++ or A+ energy rating and come with a 5-year warranty as standard.

### WANT TO KNOW MORE?



Scan the code with your mobile to watch a video about RørosHetta SENSE.

GOOD TO KNOW

## Safe and Sound

The SENSE range come with a variety of smart features and can be completed with a PCU to act as a Stove Guard and help to prevent home fires. Read more about Stove Guards on page 11.



## DISCREETLY INTEGRATED

*Our SENSE technology is discreetly integrated into the cooker hood, and comes with Stove Guard capability as standard. This means you do not need to have an eye sore of a Stove Guard unit fitted to your wall, as you will have the added fire safety feature built in as standard. Include the additional PCU to SENSE for full Stove Guard function.*

# MAKING EVERY DAY LIFE SAFER

## **A Stove Guard is a very effective way to help prevent fire.**

The Stove Guard is a fire safety feature that starts by sounding an alarm in the case of a fire risk. If the alarm is not manually cancelled, it cuts the power to the hob. Stove Guards work as a combination of two separate units: a sensor on the hood that detects risk and a PCU adapter that is easily fitted to any electrical hob. The sensor sends a signal to the PCU to cut the power to the hob, thus significantly reducing the risk of fire.

The RørosHetta SENSE hoods come with the build in sensor as standard, however require an additional PCU for full Stove Guard function. Without the PCU, it is unable to cut the power to the hob, however it will sound an alarm and can send out several forms of warnings (sms/email) in case of fire risk.

### GOOD TO KNOW

## *Stove Guard features*

A Stove Guard is an excellent complement to your smoke alarm. RørosHetta SENSE allows smart alerts to an app on your phone, as well as optional SMS and/or email alerts. We strongly recommend including the PCU, Manget Code 40571004, which would then allow our hoods to cut the power to any electrical hobs.



# SHOW OFF YOUR TRUE COLOURS

**With a number of our cooker hoods, you are free to choose any colour at no extra charge.** Find your inspiration in the colours of your kitchen, in nature, or go for something bold and vibrant! You are free to choose any of Magnet's Create Colours. Your hood will then be lacquered to match your kitchen. Unleash your creativity and customise a cooker hood exactly the way you want it!

## GOOD TO KNOW

*Which hoods are available in Magnet Create colours?*

If none of the Magnet Create colours are to your liking, we are also offering a choice of different metal finishes for some of the hoods.



Look for this symbol to identify cooker hoods that are available in Magnet Create Colours.



Look for this symbol to identify cooker hoods that are available in PVD metal.



*Mantica SENSE 60,  
lacquered in the colour Misty Moors.*

# VENTILATION TYPES

## WHAT IS THE DIFFERENCE BETWEEN EXTRACTION (DUCT-OUT) OR RECIRCULATION?

**Extraction** is when the stale air is extracted to the outside of your house through ducting.

With **recirculation**, the air that enters the cooker hood is cleaned using a carbon filter and extracted back into the room. Most hoods are interchangeable and can be used for either **external extraction** or **recirculation**, depending on how it is installed. For recirculation, the hood only requires a carbon filter to very easily be placed inside the hood, whereas the installation for external extraction requires ducting to run from the hood to the outside of the house.

## WHICH IS BETTER EXTRACTION OR RECIRCULATION?

**Extraction:** Extraction (or duct out), is without a doubt the better option. Extraction completely removes any odour, moisture, and harmful air out of the home and allow much better control over air quality.

**Pros:**

- Most efficient and economical way to maintain a fresh and healthy environment for inhabitants and reduces moisture that could cause damp / mould to the property. Quieter than recirculation if ducted correctly.

**Cons:**

- Requires ducting through an outside wall, which limits its location in the kitchen.

- Having a professional fit the ducting is essential. A badly fitted duct would greatly decrease level of extraction (and result in higher electricity bills), cause the ventilation to be noisy and could trap moisture/leak/organic material.
- For every meter of ducting or 90 degree bend, the hood loses approximately 25 m<sup>3</sup>/h extraction, therefore could require a higher extraction rate to compensate.
- Generally greater heat loss during winter times, due to blowing out warm air.

**Recirculation:** Top-end cooker hoods with good quality filters works well at eliminating odours, but still require more maintenance in comparison to extraction and the filters are often costly and needs to be replaced frequently in order to stay efficient. The cheaper recirculation filters are often very ineffective when it comes to reducing odour (as low as 30%) and with shorter life-span (as low as monthly). It's therefore important to study the effectiveness of the filter before making a choice of hood.

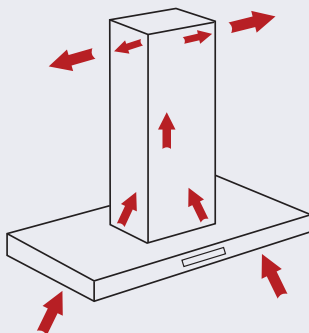
**Pros:**

- The Hob and Hood can be placed anywhere in the kitchen with little design limitation.
- Easy installation with no additional structural work needed (not needed to modify walls)
- No heat loss during winter time due to the discharge of warm air.

**Cons:**

- Costly filters that require more maintenance.
- Depending on the quality filter and use, it needs replacement between once a month to once every 5 years.

- Cheaper recirculation hoods generally have poor filters, which means it is of little benefit or function
- Poor control over air-quality and little control over humidity.
- Building regulations may require new builds to have external ventilation in the kitchen, which means that if recirculation is used, additional external ventilation would be required. Recirculation requires intensive airing to ventilate the room after cooking to remove moisture (leading to a loss of heat during winter).
- Louder than extraction hoods.
- Airflow rate is reduced by a carbon filter.



**Design tip for recirculating hoods:**

It is advisable to take the exit point into account from where the recirculated air would blow back air into the room. It would be wise to leave an adequate open distance from exit-grid. The more powerful the ventilation the greater the distance would be required. This will reduce the amount of turbulence caused by blowing air back into the room.



Allows the installer the option of ducting out from the top (vertically) or straight out the back (horizontally).

# SOUND AND NOISE LEVELS

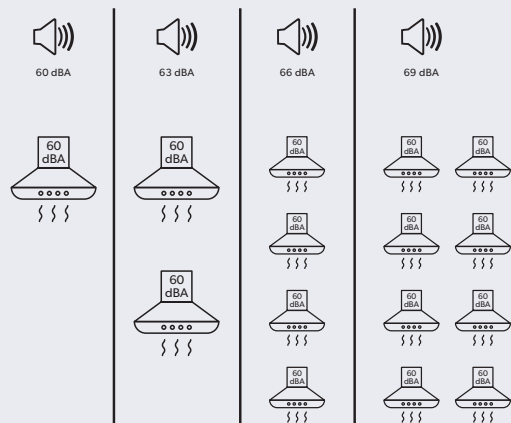
Noise pollution is a relative thing. It could be a jet plane taking off or a colleague slurping coffee. In the kitchen, it's the noisy cooker hood that spoils the culinary experience... but it doesn't have to be. We are often asked, what is the most important function to consider, extraction level or noise? The truth is, whilst effective extraction remains the most important function, it is irrelevant if the cook does not use the hood because of the noise. Sadly, this is very often the case. Surveys show that the cooker hood noise remains one of the biggest frustrations in kitchens, and the main reason why many do not use the hood at all. The result is sadly a hood that is often nothing more than an ugly ornamental light.

## UNDERSTANDING DECIBELS (DBA)

Human hearing has an incredible range (one to a trillion!) therefore the scale is awkward and we needed to use a scale that would make sense, hence using logarithmic scale. It's important to note that it's not linear, which means that the difference between 50 and 60 decibels is much smaller than the difference between 60 and 70 dB but will be explained in more detail.

### The 3 dB Rule

Because of its logarithmic nature, an increase of 3 dB actually means **doubling** the sound intensity. Therefore, following the example in the illustration, if you have 2 appliances running at 60 dBA noise at the same time, (thus doubling) the total noise would increase by 3 dB to 63 dB. With every further doubling of sound intensity, we add a further 3 dB. This means that a hood running at 69 dBA emits the same noise as 8 hoods of 60 dBA running at the same time. Thus, a hood running at 71 dBA would emit the same noise as 64 of our SENSE hoods running at the same time at 53 dBA!



### Comfortable levels of noise

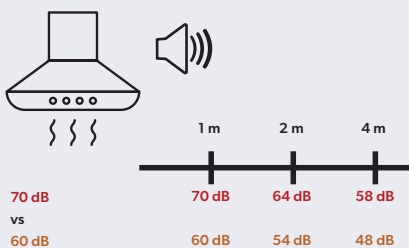
As a guide, at around 63 dBA is where noise starts to become a nuisance for conversation. In comparison, 70 dBA is roughly the level of a smartphone set on a speakerphone. Therefore, to have a comfortable kitchen it's recommended to find a hood with sufficient extraction (>400 m<sup>3</sup>/h) below 63 dB. Although the sound level at BOOST level is often advertised, it's less useful, as the hood should not often be operated at boost. The sound level at maximum normal extraction is a much more meaningful figure.

### Comparing noise between hoods

When comparing noise levels between hoods, it is important to use comparative extraction levels – you cannot compare the noise of a Hood X running at 300 m<sup>3</sup>/h extraction with the noise of a Hood Y that extracts 650 m<sup>3</sup>/h, as the Hood Y is naturally expected to have a much higher noise. In such a case, find a speed setting of Hood Y that has the closest level of extraction to compare the noise at that setting.

### The impact of distance on noise

When it comes to designing the layout of the kitchen, having a quiet relaxed atmosphere in the dining or living area (especially in open plans) is important. Understanding how distance affects noise levels from appliances is therefore important. The distance at which the dB of the cooker hood is measured is 1m from the centre, the noise would be reduced by 6 dB every time that distance from the hood (or any appliance) is doubled. Using 1m away as the starting point, means 2 m away has a 6 dB reduction, 4 m away a 12 dB reduction, 8 m away would be 18 dB reduction.



## NOISE CONCLUSION:

Poor installation is often the cause of noisy hoods, therefore make sure to find a good installer. It is strongly advisable to spend a bit more on a silent hood that would create an environment where the person cooking can join in with conversation or enjoy music while cooking. A noisy cooker hood can cause a lot of frustration and take away the joy of both the cooking and dining experience.



# WALL- MOUNTED HOODS



**A wall-mounted hood is the most common choice and is suitable for most kitchens.**

There are many attractive designs in our range, and installation is straight forward. Placing the hob against an outer-wall often simplifies ducting to the outside, allowing the most efficient extraction.



# Luna

## PRODUCT PHOTO

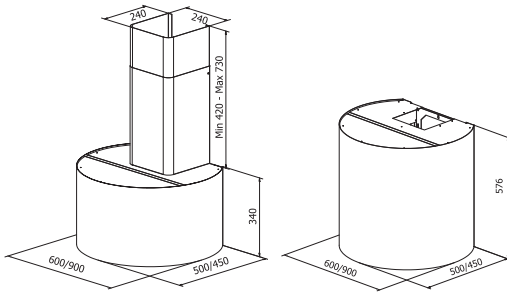


Luna Chimney SENSE



Luna SENSE

## DIMENSIONED DRAWING



## TECHNICAL INFORMATION

Energy class	A++/A+
Extraction (m <sup>3</sup> /h)	191/222/289/435 (B 664)
Noise level (dBA)	34/38/44/53 (B 63)
Lighting	LED 2700-5000K
Outlet dimensions	120/150
Height of wall-attachment	15 mm from the top of the main unit
AUX-signal	Yes

## TYPES OF VENTILATION

Duct out	Yes
Recirculation	Yes



**Luna** is breath-taking and a feature that works beautifully in both contemporary and traditional kitchens, bringing a fresh elegance and energy to the space. Complete the look with brass or copper elements for a modern yet timeless feel or bring out your individuality with a colour of your choice.

Please note that the Luna Chimney is a different format with unique code and different dimensions - it's not simply the standard Luna with a chimney. In fact, the Luna Chimney model can also be installed without the chimney for a minimalist look. Both are available in 60 or 90cm width.

Magnet	SKU	Product name	Width	Finish
	40571102	LONG-LIFE CHARCOAL FILTER	-	-
	40571004	PCU FOR STOVE GUARD FUNCTIONALITY	-	-

The Stove Guard PCU is highly recommended and allows the hood to cut the power to any electrical hob in fire emergency (see page 11).

SEE MORE ONLINE:



Scan code with your mobile





Here you can see  
Luna Chimney SENSE 90,  
in brushed brass.

Magnet SKU	Description	Width	Finish
41948503	LUNA CHIMNEY SENSE WALL 90W X 34 BRUSHED BLACK STEEL	90 cm	BRUSHED BLACK STEEL
41948710	LUNA CHIMNEY SENSE WALL 90W X 34 BRUSHED BRASS	90 cm	BRUSHED BRASS
41948601	LUNA CHIMNEY SENSE WALL 90W X 34 BRUSHED COPPER	90 cm	BRUSHED COPPER
41948405	LUNA CHIMNEY SENSE WALL 90W X 34 BRUSHED STEEL	90 cm	BRUSHED STEEL

41865106	LUNA CHIMNEY SENSE WALL 90W X 34 GREEN 16	90 cm	ARBORETUM GREEN
41865204	LUNA CHIMNEY SENSE WALL 90W X 34 RED 05	90 cm	BURLINGTON RED
41851209	LUNA CHIMNEY SENSE WALL 90W X 34 BEIGE 10	90 cm	CASHMERE SWEATER
41854908	LUNA CHIMNEY SENSE WALL 90W X 34 GREY 03	90 cm	CHARCOALS
41860709	LUNA CHIMNEY SENSE WALL 90W X 34 GREY 11	90 cm	DOVE GREY
41865509	LUNA CHIMNEY SENSE WALL 90W X 34 GREEN 17	90 cm	EUCALYPTUS GREEN
41865008	LUNA CHIMNEY SENSE WALL 90W X 34 WHITE 02	90 cm	FRESH LINEN
41851906	LUNA CHIMNEY SENSE WALL 90W X 34 GREEN 10	90 cm	GREEN OLIVES
41861303	LUNA CHIMNEY SENSE WALL 90W X 34 PINK 01	90 cm	LILAC BLOSSOM
41851405	LUNA CHIMNEY SENSE WALL 90W X 34 BLUE 05	90 cm	MIDNIGHT
41852108	LUNA CHIMNEY SENSE WALL 90W X 34 GREEN 15	90 cm	MISTY MOORS
41865400	LUNA CHIMNEY SENSE WALL 90W X 34 BLUE 10	90 cm	MORRIS BLUE
41851100	LUNA CHIMNEY SENSE WALL 90W X 34 BEIGE 09	90 cm	PEBBLE PATH
41865302	LUNA CHIMNEY SENSE WALL 90W X 34 GREEN 18	90 cm	REGENCY GREEN
41864109	LUNA CHIMNEY SENSE WALL 90W X 34 PINK 02	90 cm	ROSE BOWL
41852010	LUNA CHIMNEY SENSE WALL 90W X 34 GREEN 11	90 cm	SEAGRASS
41851307	LUNA CHIMNEY SENSE WALL 90W X 34 BLUE 02	90 cm	SKY
41851710	LUNA CHIMNEY SENSE WALL 90W X 34 BROWN 03	90 cm	TRUFFLE OIL
41851601	LUNA CHIMNEY SENSE WALL 90W X 34 BLUE 09	90 cm	VOYAGE BLUE
41860807	LUNA CHIMNEY SENSE WALL 90W X 34 GREY 12	90 cm	WASHED COTTON
41864904	LUNA CHIMNEY SENSE WALL 90W X 34 WHITE 01	90 cm	WHITE

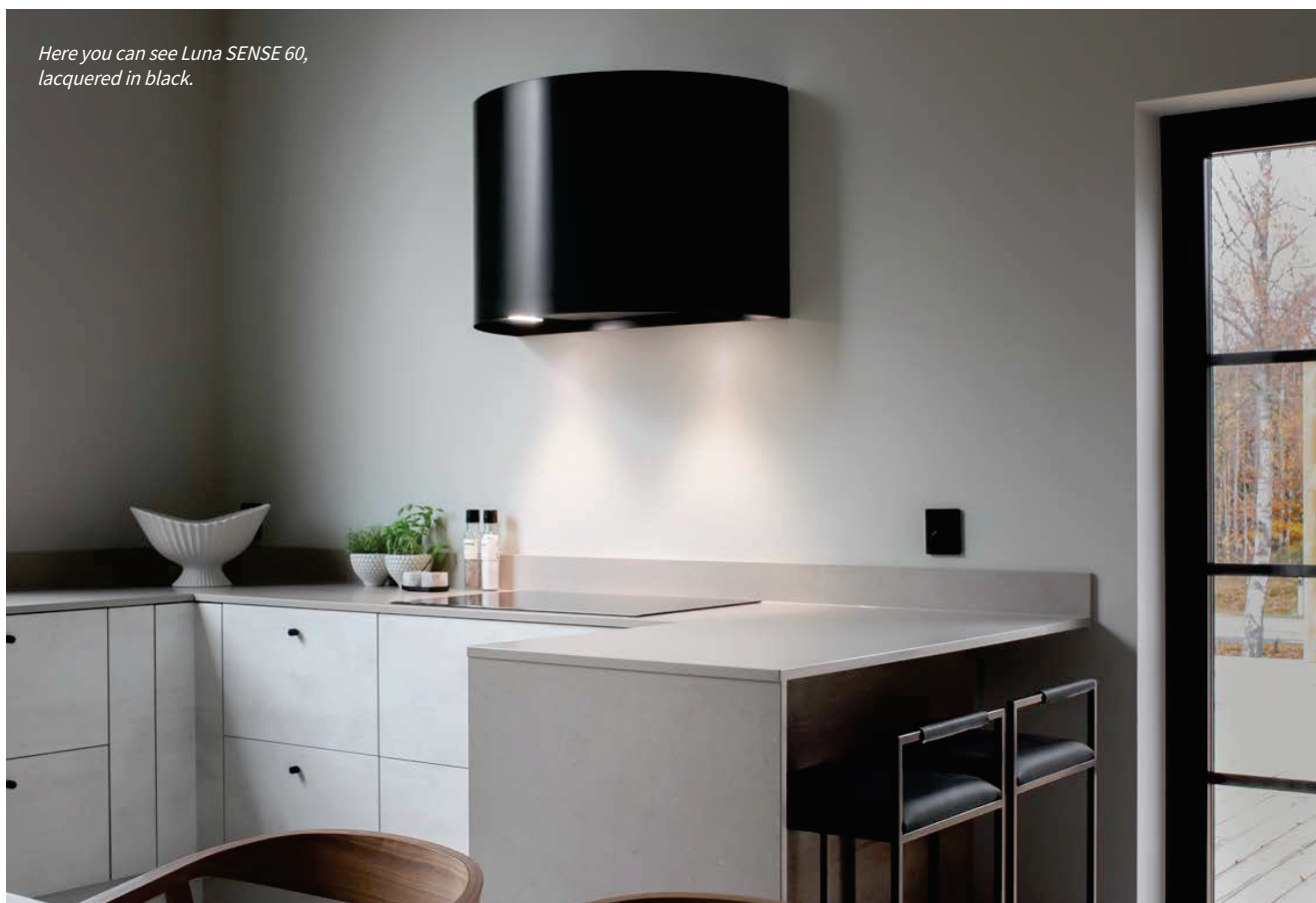


Here you can see  
Luna Chimney SENSE 60,  
lacquered in white.

Magnet SKU	Description	Width	Finish
41948906	LUNA CHIMNEY SENSE WALL 60W X 34 BRUSHED BLACK STEEL	60 cm	BRUSHED BLACK STEEL
41949108	LUNA CHIMNEY SENSE WALL 60W X 34 BRUSHED BRASS	60 cm	BRUSHED BRASS
41949010	LUNA CHIMNEY SENSE WALL 60W X 34 BRUSHED COPPER	60 cm	BRUSHED COPPER
41948808	LUNA CHIMNEY SENSE WALL 60W X 34 BRUSHED STEEL	60 cm	BRUSHED STEEL

41830209	LUNA CHIMNEY SENSE WALL 60W X 34 GREEN 16	60 cm	ARBORETUM GREEN
41830307	LUNA CHIMNEY SENSE WALL 60W X 34 RED 05	60 cm	BURLINGTON RED
41824604	LUNA CHIMNEY SENSE WALL 60W X 34 BEIGE 10	60 cm	CASHMERE SWEATER
41828603	LUNA CHIMNEY SENSE WALL 60W X 34 GREY 03	60 cm	CHARCOALS
41828701	LUNA CHIMNEY SENSE WALL 60W X 34 GREY 11	60 cm	DOVE GREY
41830601	LUNA CHIMNEY SENSE WALL 60W X 34 GREEN 17	60 cm	EUCALYPTUS GREEN
41830100	LUNA CHIMNEY SENSE WALL 60W X 34 WHITE 02	60 cm	FRESH LINEN
41828309	LUNA CHIMNEY SENSE WALL 60W X 34 GREEN 10	60 cm	GREEN OLIVES
41828908	LUNA CHIMNEY SENSE WALL 60W X 34 PINK 01	60 cm	LILAC BLOSSOM
41824800	LUNA CHIMNEY SENSE WALL 60W X 34 BLUE 05	60 cm	MIDNIGHT
41828505	LUNA CHIMNEY SENSE WALL 60W X 34 GREEN 15	60 cm	MISTY MOORS
41830503	LUNA CHIMNEY SENSE WALL 60W X 34 BLUE 10	60 cm	MORRIS BLUE
41824506	LUNA CHIMNEY SENSE WALL 60W X 34 BEIGE 09	60 cm	PEBBLE PATH
41830405	LUNA CHIMNEY SENSE WALL 60W X 34 GREEN 18	60 cm	REGENCY GREEN
41829905	LUNA CHIMNEY SENSE WALL 60W X 34 PINK 02	60 cm	ROSE BOWL
41828407	LUNA CHIMNEY SENSE WALL 60W X 34 GREEN 11	60 cm	SEAGRASS
41824702	LUNA CHIMNEY SENSE WALL 60W X 34 BLUE 02	60 cm	SKY
41828102	LUNA CHIMNEY SENSE WALL 60W X 34 BROWN 03	60 cm	TRUFFLE OIL
41828004	LUNA CHIMNEY SENSE WALL 60W X 34 BLUE 09	60 cm	VOYAGE BLUE
41828810	LUNA CHIMNEY SENSE WALL 60W X 34 GREY 12	60 cm	WASHED COTTON
41830002	LUNA CHIMNEY SENSE WALL 60W X 34 WHITE 01	60 cm	WHITE

Here you can see Luna SENSE 60,  
lacquered in black.



<i>Magnet SKU</i>	<i>Description</i>	<i>Width</i>	<i>Finish</i>
40570508	LUNA SENSE WALL 60W X 57,6H BRUSHED BLACK STEEL	60 cm	BRUSHED BLACK STEEL
40570410	LUNA SENSE WALL 60W X 57,6H BRUSHED BRASS	60 cm	BRUSHED BRASS
22569008	LUNA SENSE WALL 60W X 57,6H BRUSHED COPPER	60 cm	BRUSHED COPPER
41948307	LUNA SENSE WALL 60 X 57,6 BRUSHED STEEL	60 cm	BRUSHED STEEL

41824005	LUNA SENSE WALL 60W X 57,6H GREEN 16	60 cm	ARBORETUM GREEN
41824103	LUNA SENSE WALL 60W X 57,6H RED 05	60 cm	BURLINGTON RED
41819408	LUNA SENSE WALL 60W X 57,6H BEIGE 10	60 cm	CASHMERE SWEATER
41821003	LUNA SENSE WALL 60W X 57,6H GREY 03	60 cm	CHARCOALS
41821101	LUNA SENSE WALL 60W X 57,6H GREY 11	60 cm	DOVE GREY
41824408	LUNA SENSE WALL 60W X 57,6H GREEN 17	60 cm	EUCALYPTUS GREEN
41823901	LUNA SENSE WALL 60W X 57,6H WHITE 02	60 cm	FRESH LINEN
41820703	LUNA SENSE WALL 60W X 57,6H GREEN 10	60 cm	GREEN OLIVES
41823607	LUNA SENSE WALL 60W X 57,6H PINK 01	60 cm	LILAC BLOSSOM
41819604	LUNA SENSE WALL 60W X 57,6H BLUE 05	60 cm	MIDNIGHT
41820910	LUNA SENSE WALL 60W X 57,6H GREEN 15	60 cm	MISTY MOORS
41824310	LUNA SENSE WALL 60W X 57,6H BLUE 10	60 cm	MORRIS BLUE
41819310	LUNA SENSE WALL 60W X 57,6H BEIGE 09	60 cm	PEBBLE PATH
41824201	LUNA SENSE WALL 60W X 57,6H GREEN 18	60 cm	REGENCY GREEN
41823705	LUNA SENSE WALL 60W X 57,6H PINK 02	60 cm	ROSE BOWL
41820801	LUNA SENSE WALL 60W X 57,6H GREEN 11	60 cm	SEAGRASS
41819506	LUNA SENSE WALL 60W X 57,6H BLUE 02	60 cm	SKY
41819909	LUNA SENSE WALL 60W X 57,6H BROWN 03	60 cm	TRUFFLE OIL
41819800	LUNA SENSE WALL 60W X 57,6H BLUE 09	60 cm	VOYAGE BLUE
41821210	LUNA SENSE WALL 60W X 57,6H GREY 12	60 cm	WASHED COTTON
41823803	LUNA SENSE WALL 60W X 57,6H WHITE 01	60 cm	WHITE



*Brushed steel is back in fashion!*

*Here we see Luna Chimney SENSE 60 in brushed steel. The design flows beautifully, complementing a contemporary design with natural tones.*

*Our products are the result of a long and proud tradition of craftsmanship. Luna is made by hand at our factory in Røros, Norway.*



← CONTINUED FROM PREVIOUS PAGE



LUNA

# A POPULAR JEWEL

**Luna** has become one of our most popular cooker hoods – and for good reason. With its simple, stylish design, it adds a luxurious feel to your kitchen. A wide range of customisation options allows it to fit in with both traditional and modern kitchens. The curved shape also makes Luna a beautiful choice for kitchens with or without wall cabinets.



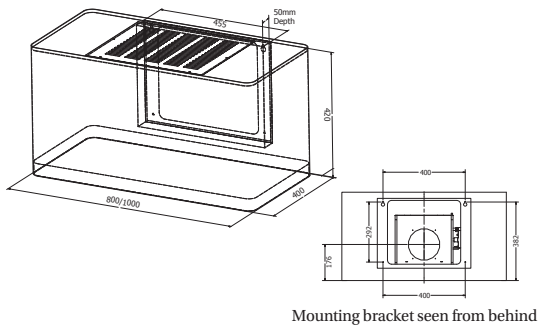
*Why settle for function when you can have STYLE? A small addition can accentuate your design and give it a distinctively sleek look. Here you see Luna Chimney SENSE 60 in Brushed Brass.*

# Trend

**PRODUCT PHOTO**



**DIMENSIONED DRAWING**



**TECHNICAL INFORMATION**

Energy class	A+
Extraction (m <sup>3</sup> /h)	191/222/289/435 (B 664)
Noise level (dBA)	34/38/44/53 (B 63)
Lighting	LED 2700-5000K
Outlet dimensions	150
Height of wall-attachment	382 mm from the bottom of the hood
AUX-signal	Yes

**TYPES OF VENTILATION**

Duct out	Yes
Recirculation	Yes

**Trend** is a hood with sleek sophistication and striking style that combines for a glorious effect. The extra support bracket gives the hood distance from the wall, creating an intriguing floating effect. Trend can be supplied in Magnet Create colours as well as any of our metal finishes. The metal finish makes the hood stand out as a feature and allow the option of matching with other metal finishing in the kitchen.

Magnet SKU	Product name	Width	Finish
40571102	LONG-LIFE CHARCOAL FILTER	-	-
40571004	PCU FOR STOVE GUARD FUNCTIONALITY	-	-

The Stove Guard PCU is highly recommended and allows the hood to cut the power to any electrical hob in fire emergency (see page 11).

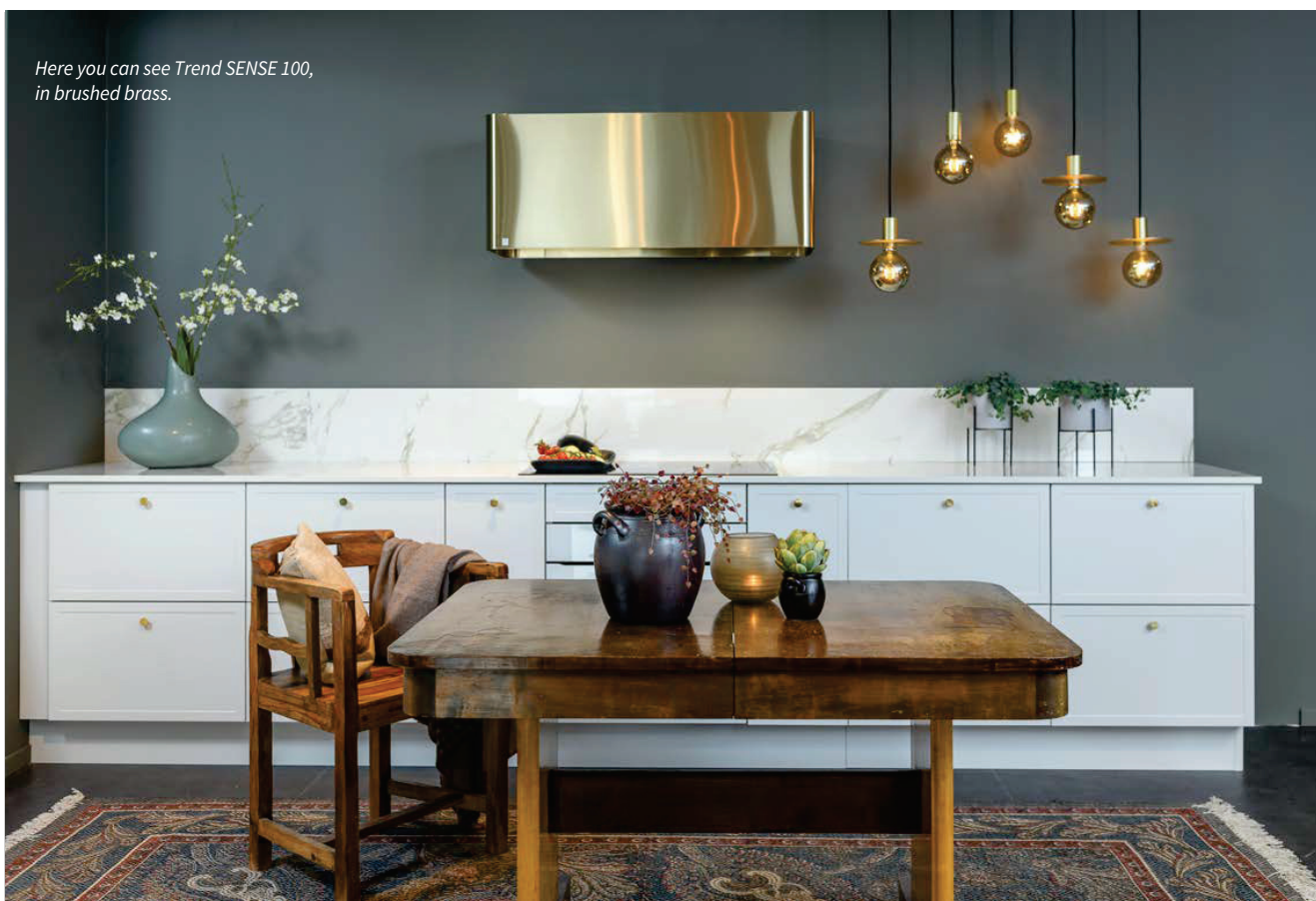
SEE MORE ONLINE:



Scan code with your mobile



Here you can see Trend SENSE 100,  
in brushed brass.



Magnet SKU	Description	Width	Finish
22569204	TREND SENSE WALL 80W X 42H BRUSHED BLACK STEEL	80 cm	BRUSHED BLACK STEEL
22569106	TREND SENSE WALL 80W X 42H BRUSHED BRASS	80 cm	BRUSHED BRASS
40570606	TREND SENSE WALL 80W X 42H BRUSHED COPPER	80 cm	BRUSHED COPPER
41740210	TREND SENSE WALL 80W X 42H BRUSHED STEEL	80 cm	BRUSHED STEEL

41850604	TREND SENSE WALL 80W X 42H GREEN 16	80 cm	ARBORETUM GREEN
41850702	TREND SENSE WALL 80W X 42H RED 05	80 cm	BURLINGTON RED
41848900	TREND SENSE WALL 80W X 42H BEIGE 10	80 cm	CASHMERE SWEATER
41849908	TREND SENSE WALL 80W X 42H GREY 03	80 cm	CHARCOALS
41850005	TREND SENSE WALL 80W X 42H GREY 11	80 cm	DOVE GREY
41851002	TREND SENSE WALL 80W X 42H GREEN 17	80 cm	EUCALYPTUS GREEN
41850506	TREND SENSE WALL 80W X 42H WHITE 02	80 cm	FRESH LINEN
41849603	TREND SENSE WALL 80W X 42H GREEN 10	80 cm	GREEN OLIVES
41850201	TREND SENSE WALL 80W X 42H PINK 01	80 cm	LILAC BLOSSOM
41849102	TREND SENSE WALL 80W X 42H BLUE 05	80 cm	MIDNIGHT
41849810	TREND SENSE WALL 80W X 42H GREEN 15	80 cm	MISTY MOORS
41850909	TREND SENSE WALL 80W X 42H BLUE 10	80 cm	MORRIS BLUE
41848802	TREND SENSE WALL 80W X 42H BEIGE 09	80 cm	PEBBLE PATH
41850800	TREND SENSE WALL 80W X 42H GREEN 18	80 cm	REGENCY GREEN
41850310	TREND SENSE WALL 80W X 42H PINK 02	80 cm	ROSE BOWL
41849701	TREND SENSE WALL 80W X 42H GREEN 11	80 cm	SEAGRASS
41849004	TREND SENSE WALL 80W X 42H BLUE 02	80 cm	SKY
41849407	TREND SENSE WALL 80W X 42H BROWN 03	80 cm	TRUFFLE OIL
41849309	TREND SENSE WALL 80W X 42H BLUE 09	80 cm	VOYAGE BLUE
41850103	TREND SENSE WALL 80W X 42H GREY 12	80 cm	WASHED COTTON
41850408	TREND SENSE WALL 80W X 42H WHITE 01	80 cm	WHITE

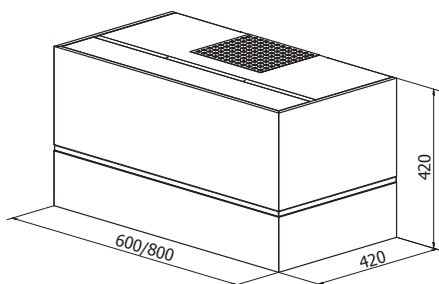


# Stripe

## PRODUCT PHOTO



## DIMENSIONED DRAWING



## TECHNICAL INFORMATION

Energy class	A++/A+
Extraction (m <sup>3</sup> /h)	191/222/289/435 (B 664)
Noise level (dBA)	34/38/44/53 (B 63)
Lighting	LED 2700-5000K
Outlet dimensions	150
Height of wall-attachment	10 mm from the top
AUX-signal	Yes

## TYPES OF VENTILATION

Duct out	Yes
Recirculation	Yes



**Stripe** is one of our latest models. It's stylish with contemporary design. Stripe is manufactured from oak and is supplied in black, with a decorative metal strip of either brushed brass or brushed steel.

Magnet SKU	Product name	Width	Finish
40571102	LONG-LIFE CHARCOAL FILTER	-	-
40571004	PCU FOR STOVE GUARD FUNCTIONALITY	-	-

The Stove Guard PCU is highly recommended and allows the hood to cut the power to any electrical hob in fire emergency (see page 11).

SEE MORE ONLINE:



Scan code with your mobile





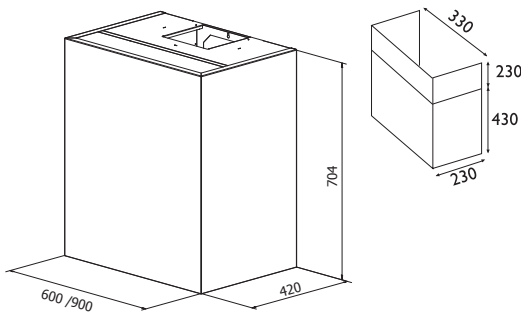
<i>Magnet SKU</i>	<i>Description</i>	<i>Width</i>	<i>Finish</i>
40570802	STRIPE SENSE WALL 80W X 42H BLACK & BRUSHED BRASS	80 cm	BLACK
40570900	STRIPE SENSE WALL 80W X 42H BLACK & BRUSHED STEEL	80 cm	BLACK

# Mantica

## PRODUCT PHOTO



## DIMENSIONED DRAWING



## TECHNICAL INFORMATION

Energy class	A++/A+
Extraction (m <sup>3</sup> /h)	191/222/289/435 (B 664)
Noise level (dBA)	34/38/44/53 (B 63)
Lighting	LED 2700-5000K
Outlet dimensions	120/150
Height of wall-attachment	10 mm from the top
AUX-signal	Yes

## TYPES OF VENTILATION

Duct out	Yes
Recirculation	Yes



**Mantica** is one of our most popular hoods. This modern and attractive model can be installed on the wall or between cabinets, and is available in all our colours and or brushed steel. The standard widths are 60 or 90 cm. The Mantica's height matches Magnet cabinets, allowing a seamless design. Keep in mind that the minimum distance the hood can be placed over electric hobs are 500 mm and 750 mm for gas hobs.

Magnet SKU	Product name	Width	Finish
40571102	LONG-LIFE CHARCOAL FILTER	-	-
40571004	PCU FOR STOVE GUARD FUNCTIONALITY	-	-

The Stove Guard PCU is highly recommended and allows the hood to cut the power to any electrical hob in fire emergency (see page 11).

SEE MORE ONLINE:



Scan code with your mobile





Here you can see Mantica SENSE 60, lacquered in the colour Misty Moors.

Magnet SKU	Description	Width	Finish
22566703	MANTICA SENSE WALL 60W X 70,4H BRUSHED STEEL	60 cm	BRUSHED STEEL
41236700	MANTICA SENSE WALL 60W X 70,4H GREEN 16	60 cm	ARBORETUM GREEN
40570301	MANTICA SENSE WALL 60W X 70,4H BLACK	60 cm	BLACK
41776910	MANTICA SENSE WALL 60W X 70,4H RED 05	60 cm	BURLINGTON RED
22579200	MANTICA SNS WALL 60W X 70,4H BEIGE 10	60 cm	CASHMERE SWEATER
22579309	MANTICA SENSE WALL 60W X 70,4H GREY 03	60 cm	CHARCOALS
22576405	MANTICA SENSEWALL 60W X 70,4H GREY 11	60 cm	DOVE GREY
41779008	MANTICA SENSE WALL 60W X 70,4H GREEN 17	60 cm	EUCALYPTUS GREEN
22573501	MANTICA SENSE WALL 60W X 70,4H WHITE 02	60 cm	FRESH LINEN
22576209	MANTICA SENSE WALL 60W X 70,4H GREEN 10	60 cm	GREEN OLIVES
22573806	MANTICA SENSE WALL 60W X 70,4H PINK 01	60 cm	LILAC BLOSSOM
22576100	MANTICA SENSE WALL 60W X 70,4H BLUE 05	60 cm	MIDNIGHT
22581307	MANTICA SENSE WALL 60W X 70,4H GREEN 15	60 cm	MISTY MOORS
41778904	MANTICA SENSE WALL 60W X 70,4H BLUE 10	60 cm	MORRIS BLUE
41740504	MANTICA SENSE WALL 60W X 70,4H BEIGE 07	60 cm	NORDIC NATURE
41740602	MANTICA SENSE WALL 60W X 70,4H BROWN 05	60 cm	NORDIC NATURE
22579505	MANTICA SENSE WALL 60W X 70,4H BEIGE 09	60 cm	PEBBLE PATH
41778806	MANTICA SENSE WALL 60W X 70,4H GREEN 18	60 cm	REGENCY GREEN
22573708	MANTICA SENSE WALL 60W X 70,4H PINK 02	60 cm	ROSE BOWL
22573904	MANTICA SENSE WALL 60W X 70,4H GREEN 11	60 cm	SEAGRASS
22576002	MANTICA SENSE WALL 60W X 70,4H BLUE 02	60 cm	SKY
22579407	MANTICA SENSE WALL 60W X 70,4H BROWN 03	60 cm	TRUFFLE OIL
22579701	MANTICA SENSE WALL 60W X 70,4H BLUE 09	60 cm	VOYAGE BLUE
22576307	MANTICA SENSE WALL 60W X 70,4H GREY 12	60 cm	WASHED COTTON
22573403	MANTICA SENSE WALL 60W X 70,4H WHITE 01	60 cm	WHITE

Here you can see Mantica SENSE 90,  
lacquered in white



<b>Magnet SKU</b>	<b>Description</b>	<b>Width</b>	<b>Finish</b>
22568806	MANTICA SENSE WALL 90W X 70,4H BRUSHED STEEL	90 cm	BRUSHED STEEL
41844302	MANTICA SENSE WALL 90W X 70,4H GREEN 16	90 cm	ARBORETUM GREEN
22566801	MANTICA SENSE WALL 90W X 70,4H BLACK	90 cm	BLACK
41844400	MANTICA SENSE WALL 90W X 70,4H RED 05	90 cm	BURLINGTON RED
41840902	MANTICA SENSE WALL 90W X 70,4H BEIGE 10	90 cm	CASHMERE SWEATER
41841910	MANTICA SENSE WALL 90W X 70,4H GREY 03	90 cm	CHARCOALS
41843708	MANTICA SENSE WALL 90W X 70,4H GREY 11	90 cm	DOVE GREY
41844705	MANTICA SENSE WALL 90W X 70,4H GREEN 17	90 cm	EUCALYPTUS GREEN
41844204	MANTICA SENSE WALL 90W X 70,4H WHITE 02	90 cm	FRESH LINEN
41841605	MANTICA SENSE WALL 90W X 70,4H GREEN 10	90 cm	GREEN OLIVES
41843904	MANTICA SENSE WALL 90W X 70,4H PINK 01	90 cm	LILAC BLOSSOM
41841104	MANTICA SENSE WALL 90W X 70,4H BLUE 05	90 cm	MIDNIGHT
41841801	MANTICA SENSE WALL 90W X 70,4H GREEN 15	90 cm	MISTY MOORS
41844607	MANTICA SENSE WALL 90W X 70,4H BLUE 10	90 cm	MORRIS BLUE
41840804	MANTICA SENSE WALL 90W X 70,4H BEIGE 09	90 cm	PEBBLE PATH
41844509	MANTICA SENSE WALL 90W X 70,4H GREEN 18	90 cm	REGENCY GREEN
41844008	MANTICA SENSE WALL 90W X 70,4H PINK 02	90 cm	ROSE BOWL
41841703	MANTICA SENSE WALL 90W X 70,4H GREEN 11	90 cm	SEAGRASS
41841006	MANTICA SENSE WALL 90W X 70,4H BLUE 02	90 cm	SKY
41841409	MANTICA SENSE WALL 90W X 70,4H BROWN 03	90 cm	TRUFFLE OIL
41841300	MANTICA SENSE WALL 90W X 70,4H BLUE 09	90 cm	VOYAGE BLUE
41843806	MANTICA SENSE WALL 90W X 70,4H GREY 12	90 cm	WASHED COTTON
41844106	MANTICA SENSE WALL 90W X 70,4H WHITE 01	90 cm	WHITE

WALL-MOUNTED HOODS

MANTICA

# SLEEK ELEGANCE

**With its pure, straight lines, Mantica is perfect for those wanting a modern, elegant touch in their kitchen.** Mantica is boldly sophisticated as a free hanging, or the more reserved option between cabinets, giving it a slick seamless aesthetic.



*Here you can see Mantica SENSE 90, lacquered in white.*



*Here you can see Mantica SENSE 60 in black*



*Here you can see Mantica SENSE 60, lacquered in the colour Midnight.*



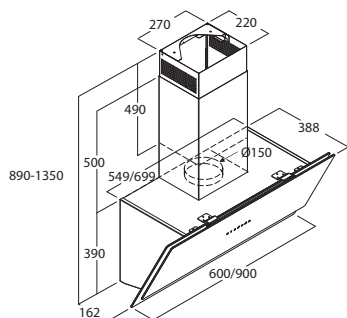
*For 75 years, our employees have had a passion for quality and good artistry. Mantica is handmade at our factory in Røros.*

# Leda

## PRODUCT PHOTO



## DIMENSIONED DRAWING



## TECHNICAL INFORMATION

Energy class	A+
Extraction (m <sup>3</sup> /h)	330/440/580 (B 730)
Noise level (dBA)	52/57/62 (B 66)
Lighting	LED 1x7W
Outlet dimensions	120/150
Height of wall-attachment	320 mm from the bottom of the hood
AUX-signal	No

## TYPES OF VENTILATION

Duct out	Yes
Recirculation	Yes



**Leda** is our newest vertical kitchen hood and available in black glass. Vertical hoods improve visibility to the hob and looks great. This luxury vertical hood offers a high level of normal extraction at a comfortable noise level of 62 dBA, and boost at 66 dBA. Leda comes with a chimney as standard, but can be installed without when used for recirculation.

Magnet SKU	Product name	Width	Finish
41698509	LEDA 60	60 cm	BLACK
41698607	LEDA 90	90 cm	BLACK
41698705	CHARCOAL FILTER LEDA	-	-
41774001	REMOTE CONTROL	-	-



SEE MORE ONLINE:



Scan code with your mobile

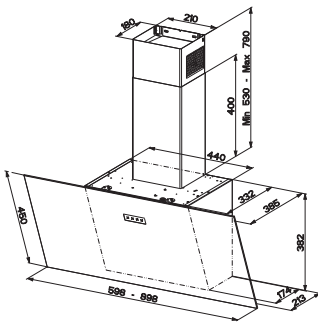


# Tellus

## PRODUCT PHOTO



## DIMENSIONED DRAWING



## TECHNICAL INFORMATION

Energy class	B
Extraction (m <sup>3</sup> /h)	320/490/640
Noise level (dBA)	53/63/68
Lighting	2 x LED x 1 W
Outlet dimensions	120/150
Height of wall-attachment	382 mm from the bottom of the hood
AUX-signal	No

## TYPES OF VENTILATION

Duct out	Yes
Recirculation	Yes



**Tellus** is a budget friendly style hood that offers powerful ventilation and a modern look. The hood comes with a chimney as standard, although it could be installed without when used for recirculation. It is available in 60 and 90 cm standard width, with the choice of steel, white or black finish.

Magnet SKU	Product name	Width	Finish
21421407	TELLUS 60 CM STAINLESS STEEL	58,8 cm	STAINLESS STEEL
21421505	TELLUS 90 CM STAINLESS STEEL	89,8 cm	STAINLESS STEEL
21882404	CHARCOAL FILTER TELLUS	-	-

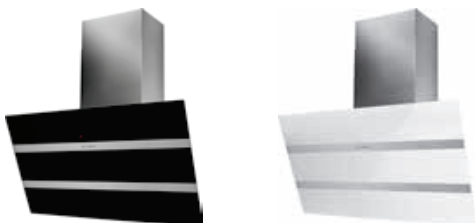
SEE MORE ONLINE:



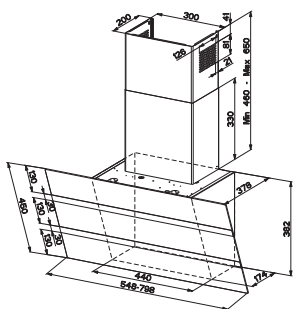
Scan code with your mobile

# Argo

**PRODUCT PHOTO**



**DIMENSIONED DRAWING**

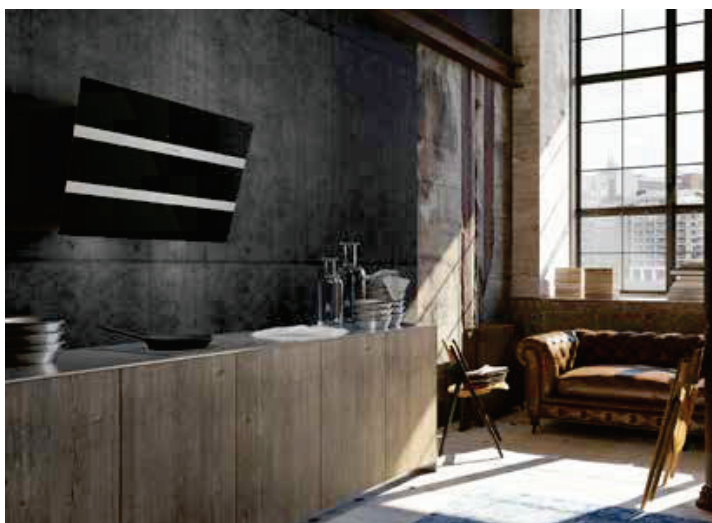


**TECHNICAL INFORMATION**

Energy class	A+
Extraction (m <sup>3</sup> /h)	310/420/580 (B 720)
Noise level (dBA)	52/56/62 (B 65)
Lighting	2 x LED
Outlet dimensions	120/150
Height of wall-attachment	338 mm from the bottom of the hood
AUX-signal	No

**TYPES OF VENTILATION**

Duct out	Yes
Recirculation	Yes



**Argo** has a fashionable style, powerful extraction at a low noise, along with an economical energy rating, so it's easy to understand why it is so popular. The dimensions are slightly narrower than most hoods, which makes it the preferred choice for between cabinets. It can be installed with or without the chimney and ducting is simplified by a reversible motor, which allows the installer to duct to the top, or directly to the back (horizontally).

Magnet	SKU	Product name	Width	Finish
	60498500	ARGO WALL 55CM BLACK GLASS	54,8 cm	BLACK
	60498707	ARGO WALL 55CM WHITE GLASS	54,8 cm	WHITE
	60498609	ARGO WALL 80CM BLACK GLASS	79,8 cm	BLACK
	60498805	ARGO WALL 80CM WHITE GLASS	79,8 cm	WHITE
	22017810	CHARCOAL FILTER ARGO	-	-
	60499203	ARGO METAL GRATE	-	-

Always supplied with steel chimney.  
 For recirculation, the installation of the chimney is optional but a metal grate is advised as a safety precaution to cover the duct opening.  
 The turnable motor makes the Argo unique in that it can be installed without a chimney also when ducting out.

SEE MORE ONLINE:



Scan code with your mobile

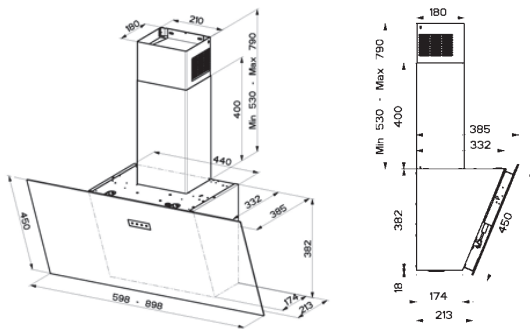


# Planar

## PRODUCT PHOTO



## DIMENSIONED DRAWING



## TECHNICAL INFORMATION

Energy class	B
Extraction (m <sup>3</sup> /h)	320/490/640
Noise level (dBA)	53/63/68
Lighting	2 X LED
Outlet dimensions	120/150
Height of wall-attachment	345 mm from the bottom of the hood
AUX-signal	No

## TYPES OF VENTILATION

Duct out	Yes
Recirculation	Yes

**Planar** is our entry-level, budget friendly range that's available under the RM brand. The vertical hood proves that not all style need to be expensive and is supplied in either white or black glass with touch control.

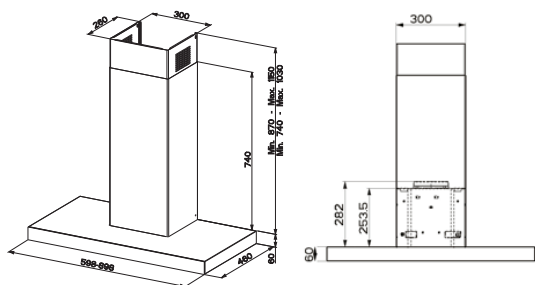
Magnet SKU	Product name	Width	Finish
41698008	PLANAR BLACK 60	60 cm	BLACK
41698204	PLANAR WHITE 60	60 cm	WHITE
41698106	PLANAR BLACK 90	90 cm	BLACK
41698302	PLANAR WHITE 90	90 cm	WHITE
22017810	CHARCOAL FILTER PLANAR	-	-

# Merkur

## PRODUCT PHOTO



## DIMENSIONED DRAWING



## TECHNICAL INFORMATION

Energy class	A+
Extraction (m <sup>3</sup> /h)	260/330/415 (B 720)
Noise level (dBA)	53/57/61 (B 72)
Lighting	2 x LED x 2 W
Outlet dimensions	120/150
Height of wall-attachment	320 mm from the bottom of the hood
AUX-signal	No

## TYPES OF VENTILATION

Duct out	Yes
Recirculation	Yes



**Merkur** has clean straight lines with a traditional T-shaped shape, with a black steel finish that gives it real elegance and makes it a great choice for the modern kitchen. Merkur is available in a width of 60 or 90 cm. The black hood contrasts beautifully with a lighter coloured kitchen, or with matching black appliances.

Magnet SKU	Product name	Width	Finish
21421200	MERKUR 60 WALL BLACK STEEL	59,8 cm	BLACK
21421309	MERKUR 90 WALL BLACK STEEL	89,8 cm	BLACK
21882306	CHARCOAL FILTER MERKUR	-	-
60499301	REMOTE CONTROL	-	-



SEE MORE ONLINE:



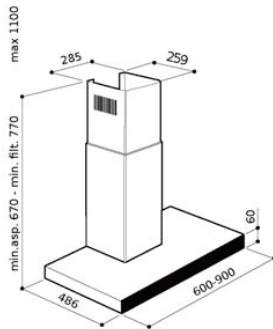
Scan code with your mobile

# Callisto

## PRODUCT PHOTO



## DIMENSIONED DRAWING



## TECHNICAL INFORMATION

Energy class	A
Extraction (m <sup>3</sup> /h)	303/588
Noise level (dBA)	48/63
Lighting	2 X LED
Outlet dimensions	120/150
AUX-signal	No

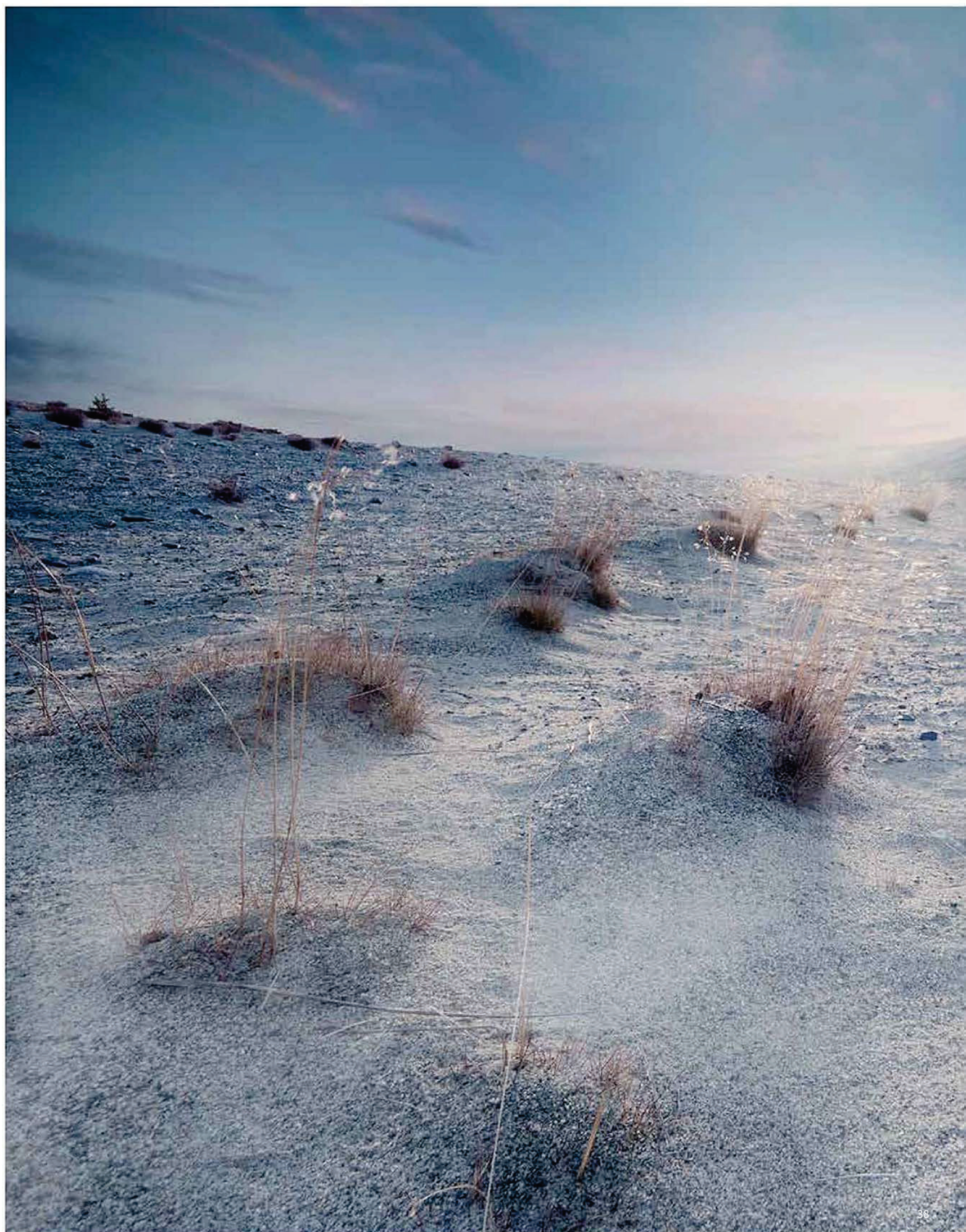
## TYPES OF VENTILATION

Duct out	Yes
Recirculation	Yes

**Callisto** is a traditional T-shaped shape, with a black steel finish that gives it a modern look, at a great price. Callisto is available in a width of 60 cm and 90 cm. A remote is included with all units, which are often invaluable for people with disabilities.

Magnet SKU	Product name	Width	Finish
41947702	CALLISTO WALL 60W	60 cm	BLACK
41947800	CALLISTO WALL 90W	90 cm	WHITE
41948002	CHARCOAL FILTER CALLISTO	-	-





# COMBOHOBS



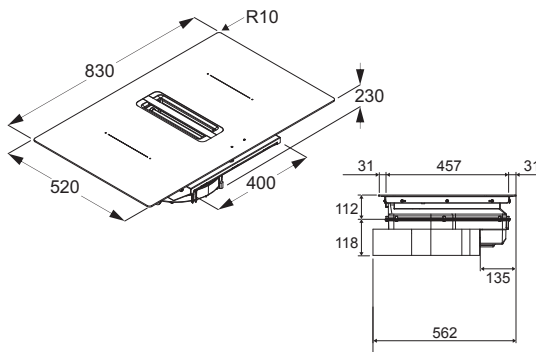
**Sometimes a cooker hood can be a pain in the head - literally!** A combohob or downdraft extractor means no bumping of heads and good visibility of your cooking, and in particular complements and island or open kitchen layout

# Elegant

**PRODUCT PHOTO**



**DIMENSIONED DRAWING**



**TECHNICAL INFORMATION**

Energy class	A++
Extraction m <sup>3</sup> /h	220-450 (B1 530, B2 620)
Noise level (dBa)	44-63 (B1 67, B2 69)
Outlet dimensions	220 x 90
Cooking zones	4x 2100-3000 W
Size cooking zones	19 x 21 cm
Nr of speeds	8 + 2 Boost
AUX-signal	No

**TYPES OF VENTILATION**

Duct out	Yes
Recirculation	Yes

**PROPERTIES OF COMBOHOB**

Touch panel/colour	White
Nr. of power steps	9 + Power
Flexible cooking zones	Yes
Bridge function	Manual
Stop & Go	Yes
Child lock function	Yes
Timer functionality	Yes
Automatic cooking	No
Keep warm function	Yes
Grill function	No



**Elegant** combines the functionality of hob and hood in an integrated sleek and slim-fit design leaving ample cabinet space. With powerful bridging cooking zones, Elegant also avoids moisture build-up by extracting outside of the cabinet when recirculating. With unique intuitive controls, all the important functions are controlled by a single touch. The quiet motor means that it is barely audible and with the ease of cleaning and spill-catcher, it allows for a comfort and hassle-free kitchen.

Magnet SKU	Product name	Width	Finish
41698803	ELEGANT 83 COMBO HOB	83 cm	BLACK
41698901	RECIRKULATION KIT ELEGANT	-	-
41699005	LONG-LIFE CHARCOAL FILTER	-	-

In order for the Elegant hob to be compatible with the Magnet drawer unit, a 80,90 or 100 cm IDK/K20 unit needs to be used with this hob. The standard drawer (replacing the deep pan) fits perfectly underneath extraction unit, with no resistance from the ducting allowing a fully soft close. It is recommended that Elegant is installed in 28 mm worktops and above. A thinner worktop is possible, however means that your space in the upper drawer would be limited.

We advise adding both the filter and recirculation kit for units that recirculate. In case of ducting out, standard rectangular ducting can be used, which are available at most hardware stores.

SEE MORE ONLINE:



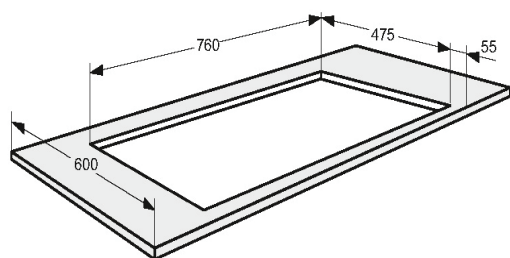
Scan code with your mobile



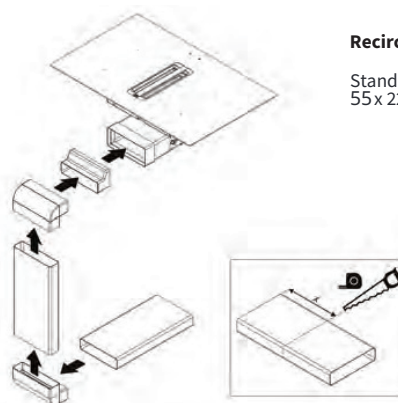
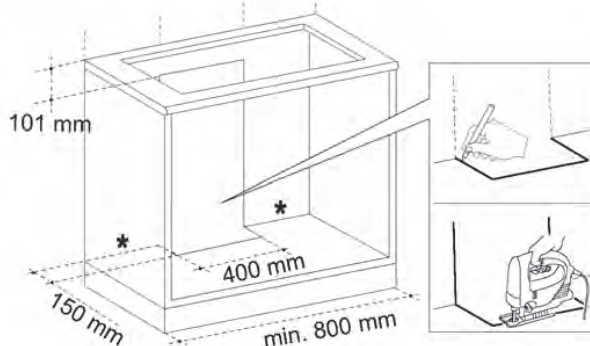
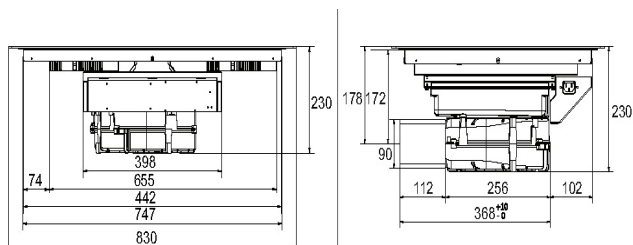
# Elegant

# RØROS<sup>®</sup> HETTA

## MOUNTING



## DRAWINGS



### Recirculation ducting

Standard rectangular 90 x 220mm reduced to 55 x 220mm

For recirculation (i.e. not ducted out) the ducting runs behind the cabinet in the void, and under the cabinet towards the front, exiting through a grill in the plinth. Additional items required for recirculation is:

- 1) Elegant Recirculation Kit: 41698901
- 2) Long-life Odour filter: 41699005 and
- 3) a Magnet Kitchens Plinth Grill, to cover the exit hole in Plinth.

If fitting recirculation ducting, be sure to reposition the centre leg under the cabinet to not obstruct the ducting that runs under the cabinet to the plinth **BEFORE INSTALLING THE CABINET**. See manual for fitting instructions.

SEE MORE ONLINE:



Scann code with your mobile

# Elegant

RØROS<sup>®</sup>  
HETTA

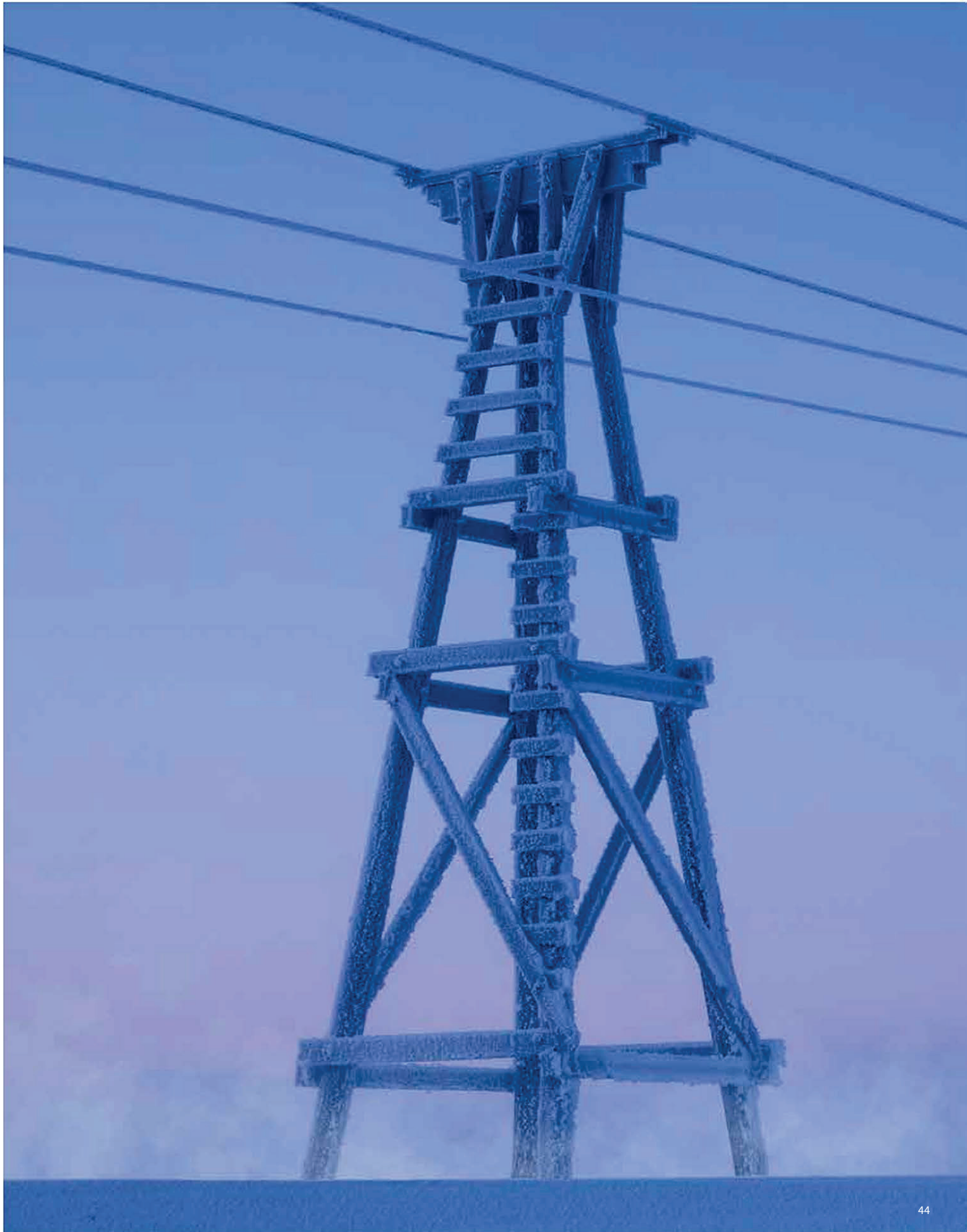
## KEY FEATURES OF ELEGANT

- Specifically designed and developed for Magnet cabinets, the slim-line build allows the use of **maximum cabinet space**.
- In the case of recirculation, it's a closed system that ducts out through the plinth, whereas many brands blow out inside the cabinet. Blowing out inside the cabinet builds humidity and moisture that will shorten the lifespan of cabinets. Elegant **protects the integrity of cabinets**.
- **Touch panel** with RED LEDs and slide controls.
- **4 Cooking Zones** running at 2.1 kW, which can be boosted to 3kW.
- **2 Bridge Zones**. The cooking zones can be enlarged through bridging the top and bottom, on either left or right side to allow a greater cooking surface. Connected cooking zones will run at 3.7kW.
- **Extraction is automatic** and will increase along with the power level but can also be controlled manually.
- A reminder is set for every 100 hours to clean **Grease filter**, which is **dishwasher safe**. The grid cover on top of the extraction is not machine washable and needs to be hand-washed without abrasive sponges.
- Food spills doesn't burn into the glass, like some ceramic hobs, thus **easier to clean** and maintain.
- **Control panel is lockable** to allow cleaning while cooking.
- Spill collector inside the grease filter basket, as well as a water collector underneath the basket, **protects against accidental spillage**, however, needs to be cleaned regularly.
- In case of recirculation, the odour filter is easily inserted from the top of the grease-filter basket.
- **5-year Guarantee**
- **Child safety lock** to prevent accidental use.
- **2 cooking timer options:**
  - A minute minder which counts down a timer without interfering with cooking
  - A Cooking timer that switches off a cooking zone at the end of desired time
- **Pause and recall** option allows pausing the cooking, which means turning off the cooking zone and pausing all timers. Using recall will resume the cooking at the same power level and continue any previous timers set.
- **Automatic heat up** function – heats up a cooking zone to a maximum level for a certain amount of time, before returning to established levels. (Interval details in manual).
- **Customisable Amps**. Total kW limited set at 7.4kW, but possible to reduce if needed to 4.5kW, 3.5kW or 2.8kW on the inductors, plus 0.2kW for the extraction. This means at standard UK volts of 230, the hob could run at either 33 Amps, 20.4 Amps, 16.1Amps or 13 Amps.



Open up more space  
in your kitchen with  
a combohob.





# ISLAND HOODS

+ INTEGRATED IN THE CEILING



**An island hood is a wonderful decorative feature in an open plan, or large kitchen.** Whether you prefer an eye-catching or a more discreet ceiling-mounted hood, our island hoods combine smart design and optimal indoor air quality. Plus, our cooker hoods are silent, allowing you to cook and listen to music or watch TV at the same time.

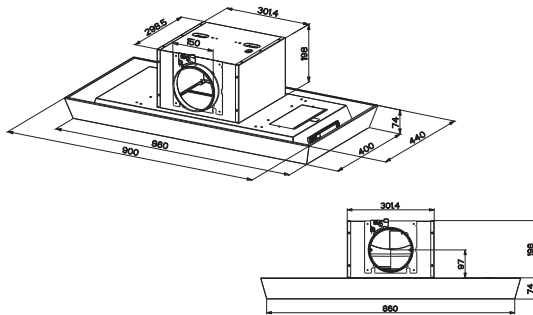
INTEGRATED IN THE CEILING

# Vision

## PRODUCT PHOTO



## DIMENSIONED DRAWING



## TECHNICAL INFORMATION

Energy class	C
Extraction (m <sup>3</sup> /h)	300/460/580/640
Noise level (dBA)	53/63/68/70
Lighting	2 x LED x 2 W
Outlet dimensions	120/150
AUX-signal	No

## TYPES OF VENTILATION

Duct out	Yes
Recirculation	Yes



**Vision** is a powerful ceiling hood that discretely removes the odours and vapours while you cook. One of the biggest benefits of Vision is that it fits between standard ceiling joists, which removes the need for special installation solutions or suspended ceilings, an issue you would find with most other ceiling hoods. The hood also has an e-installation video that makes installation simple and straightforward. The hood comes with remote control included.

Magnet	SKU	Product name	Width	Finish
	21421603	VISION CEILING HOOD 90 CM	90 cm	STEEL
	22017810	CHARCOAL FILTER VISION	-	-

2

Reversible motor: Horizontal duct-out in any direction with 90-degree increment.

SEE MORE ONLINE:



Scan code with your mobile

INSTALLATION VIDEO:



Scan code with your mobile



*Vision fits between standard ceiling joists both parallel or perpendicular, giving you more freedom with the design of your island.*

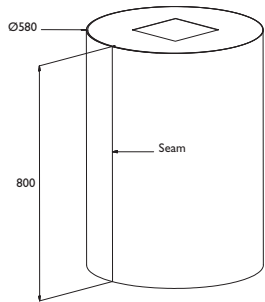


# Luna

**PRODUCT PHOTO**



**DIMENSIONED DRAWING**



**TECHNICAL INFORMATION**

Energy class	A++
Extraction (m <sup>3</sup> /h)	191/222/289/435 (B 664)
Noise level (dBA)	34/38/44/53 (B 63)
Lighting	LED 2700-5000K
Outlet dimensions	120/150
AUX-signal	Yes

**TYPES OF VENTILATION**

Duct out	Yes
Recirculation	Yes



**Luna** island model is an awe-inspiring feature that works beautifully in both contemporary and modern kitchens, bringing a fresh elegance and energy to the space with a truly bespoke designer finish. The hood can be customised in colour, or with a brass metal finish to suit the overall layout and design of the kitchen.

Magnet SKU	Product name	Width	Finish
40571102	LONG-LIFE CHARCOAL FILTER	-	-
40571004	PCU FOR STOVE GUARD FUNCTIONALITY	-	-

This model has a seam running down one side.

The Stove Guard PCU is highly recommended and allows the hood to cut the power to any electrical hob in fire emergency (see page 11).

SEE MORE ONLINE:



Scan code with your mobile







Here you can see  
Luna Island SENSE,  
in white.

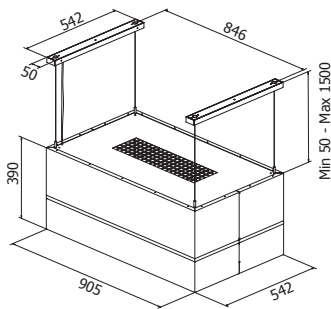
<i>Magnet SKU</i>	<i>Description</i>	<i>Width</i>	<i>Finish</i>
41742803	LUNA SENSE ISLAND 58W X 80H BRUSHED BRASS	58 cm	BRUSHED BRASS
41840303	LUNA SENSE ISLAND 58W X 80H GREEN 16	58 cm	ARBORETUM GREEN
41742901	LUNA SENSE ISLAND 58W X 80H BLACK	58 cm	BLACK
41840401	LUNA SENSE ISLAND 58W X 80H RED 05	58 cm	BURLINGTON RED
41833908	LUNA SENSE ISLAND 58W X 80H BEIGE 10	58 cm	CASHMERE SWEATER
41838207	LUNA SENSE ISLAND 58W X 80H GREY 03	58 cm	CHARCOALS
41839705	LUNA SENSE ISLAND 58W X 80H GREY 11	58 cm	DOVE GREY
41840706	LUNA SENSE ISLAND 58W X 80H GREEN 17	58 cm	EUCALYPTUS GREEN
41840205	LUNA SENSE ISLAND 58W X 80H WHITE 02	58 cm	FRESH LINEN
41836006	LUNA SENSE ISLAND 58W X 80H GREEN 10	58 cm	GREEN OLIVES
41839901	LUNA SENSE ISLAND 58W X 80H PINK 01	58 cm	LILAC BLOSSOM
41835510	LUNA SENSE ISLAND 58W X 80H BLUE 05	58 cm	MIDNIGHT
41838000	LUNA SENSE ISLAND 58W X 80H GREEN 15	58 cm	MISTY MOORS
41840608	LUNA SENSE ISLAND 58W X 80H BLUE 10	58 cm	MORRIS BLUE
41831402	LUNA SENSE ISLAND 58W X 80H BEIGE 09	58 cm	PEBBLE PATH
41840510	LUNA SENSE ISLAND 58W X 80H GREEN 18	58 cm	REGENCY GREEN
41840009	LUNA SENSE ISLAND 58W X 80H PINK 02	58 cm	ROSE BOWL
41837907	LUNA SENSE ISLAND 58W X 80H GREEN 11	58 cm	SEAGRASS
41834001	LUNA SENSE ISLAND 58W X 80H BLUE 02	58 cm	SKY
41835804	LUNA SENSE ISLAND 58W X 80H BROWN 03	58 cm	TRUFFLE OIL
41835706	LUNA SENSE ISLAND 58W X 80H BLUE 09	58 cm	VOYAGE BLUE
41839803	LUNA SENSE ISLAND 58W X 80H GREY 12	58 cm	WASHED COTTON
41840107	LUNA SENSE ISLAND 58W X 80H WHITE 01	58 cm	WHITE

# Stripe

## PRODUCT PHOTO



## DIMENSIONED DRAWING



## TECHNICAL INFORMATION

Energy class	A+
Extraction (m <sup>3</sup> /h)	191/222/289/435 (B 664)
Noise level (dBA)	34/38/44/53 (B 63)
Lighting	4 x LED
Outlet dimensions	-
AUX-signal	Yes

## TYPES OF VENTILATION

Duct out	No
Recirculation	Yes



**Stripe** is one of our newest additions to our range, and very trendy. This hood is produced in steel and can be supplied in any Create colour, with a decorative strip in a PVD metal. As a free-hanging hood, it's only suitable for recirculation, but the state of the art long-life monoblock filter means that you don't need to change the filter for up to 5 years (900 hours of cooking). Note that this filter is included with the hood and thus not required to add to the order.

Magnet	SKU	Product name	Width	Finish
	40571102	LONG-LIFE CHARCOAL FILTER	-	-
	40571004	PCU FOR STOVE GUARD FUNCTIONALITY	-	-

The Stove Guard PCU is highly recommended and allows the hood to cut the power to any electrical hob in fire emergency (see page 11).

SEE MORE ONLINE:



Scan code with your mobile





<b>Magnet SKU</b>	<b>Description</b>	<b>Width</b>	<b>Finish</b>
41740700	STRIPE SENSE ISLAND 90W X 34H BLACK & BRUSHED BRASS	90 cm	BLACK
41880701	STRIPE SENSE ISLAND 90W X 34 GREEN 16 & BRUSHED BRASS	90 cm	ARBORETUM GREEN
41880810	STRIPE SENSE ISLAND 90W X 34 RED 05 & BRUSHED BRASS	90 cm	BURLINGTON RED
41870204	STRIPE SENSE ISLAND 90W X 34 BEIGE 10 & BRUSHED BRASS	90 cm	CASHMERE SWEATER
41876404	STRIPE SENSE ISLAND 90W X 34 GREY 03 & BRUSHED BRASS	90 cm	CHARCOALS
41876502	STRIPE SENSE ISLAND 90W X 34GREY 11 & BRUSHED BRASS	90 cm	DOVE GREY
41881110	STRIPE SENSE ISLAND 90W X 34 GREEN 17 & BRUSHED BRASS	90 cm	EUCALYPTUS GREEN
41880603	STRIPE SENSE ISLAND 90W X 34 WHITE 02 & RUSHED BRASS	90 cm	FRESH LINEN
41870901	STRIPE SENSE ISLAND 90W X 34 GREEN 10 & BRUSHED BRASS	90 cm	GREEN OLIVES
41876709	STRIPE SENSE ISLAND 90W X 34 PINK 01 & RUSHED BRASS	90 cm	LILAC BLOSSOM
41870400	STRIPE SENSE ISLAND 90W X 34 BLUE 05 & RUSHED BRASS	90 cm	MIDNIGHT
41876306	STRIPE SENSE ISLAND 90W X 34 GREEN 15 & BRUSHED BRASS	90 cm	MISTY MOORS
41881001	STRIPE SENSE ISLAND 90W X 34 BLUE 10 & RUSHED BRASS	90 cm	MORRIS BLUE
41870106	STRIPE SENSE ISLAND 90W X 34 BEIGE 09 & RUSHED BRASS	90 cm	PEBBLE PATH
41880908	STRIPE SENSE ISLAND 90W X 34 GREEN 18 & BRUSHED BRASS	90 cm	REGENCY GREEN
41876807	STRIPE SENSE ISLAND 90W X 34 PINK 02 & BRUSHED BRASS	90 cm	ROSE BOWL
41871005	STRIPE SENSE ISLAND 90W X 34 GREEN 11 & BRUSHED BRASS	90 cm	SEAGRASS
41870302	STRIPE SENSE ISLAND 90W X 34 BLUE 02 & BRUSHED BRASS	90 cm	SKY
41870705	STRIPE SENSE ISLAND 90W X 34 BROWN 03 & RUSHED BRASS	90 cm	TRUFFLE OIL
41870607	STRIPE SENSE ISLAND 90W X 34 BLUE 09 & RUSHED BRASS	90 cm	VOYAGE BLUE
41876600	STRIPE SENSE ISLAND 90W X 34 GREY 12 & BRUSHED BRASS	90 cm	WASHED COTTON
41876905	STRIPE SENSE ISLAND 90W X 34 WHITE 01 & BRUSHED BRASS	90 cm	WHITE



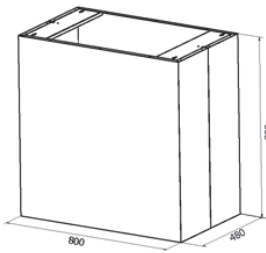
<i>Magnet SKU</i>	<i>Description</i>	<i>Width</i>	<i>Finish</i>
41740809	STRIPE SENSE ISLAND 90W X 34H BLACK & BRUSHED STEEL	90 cm	BLACK
41869606	STRIPE SENSE ISLAND 90W X 34 GREEN 16 & BRUSHED STEEL	90 cm	ARBORETUM GREEN
41869704	STRIPE SENSE ISLAND 90W X 34 RED 05 & BRUSHED STEEL	90 cm	BURLINGTON RED
41866506	STRIPE SENSE ISLAND 90W X 34 BEIGE 10 & BRUSHED STEEL	90 cm	CASHMERE SWEATER
41868903	STRIPE SENSE ISLAND 90W X 34 GREY 03 & BRUSHED STEEL	90 cm	CHARCOALS
41869007	STRIPE SENSE ISLAND 90W X 34GREY 11 & BRUSHED STEEL	90 cm	DOVE GREY
41870008	STRIPE SENSE ISLAND 90W X 34 GREEN 17 & BRUSHED STEEL	90 cm	EUCALYPTUS GREEN
41869508	STRIPE SENSE ISLAND 90W X 34 WHITE 02 & BRUSHED STEEL	90 cm	FRESH LINEN
41867209	STRIPE SENSE ISLAND 90W X 34 GREEN 10 & BRUSHED STEEL	90 cm	GREEN OLIVES
41869203	STRIPE SENSE ISLAND 90W X 34 PINK 01 & RUSHED STEEL	90 cm	LILAC BLOSSOM
41866702	STRIPE SENSE ISLAND 90W X 34 BLUE 05 & BRUSHED STEEL	90 cm	MIDNIGHT
41868805	STRIPE SENSE ISLAND 90W X 34 GREEN 15 & BRUSHED STEEL	90 cm	MISTY MOORS
41869900	STRIPE SENSE ISLAND 90W X 34 BLUE 10 & BRUSHED STEEL	90 cm	MORRIS BLUE
41866408	STRIPE SENSE ISLAND 90W X 34 BEIGE 09 & BRUSHED STEEL	90 cm	PEBBLE PATH
41869802	STRIPE SENSE ISLAND 90W X 34 GREEN 18 & BRUSHED STEEL	90 cm	REGENCY GREEN
41869301	STRIPE SENSE ISLAND 90W X 34 PINK 02 & BRUSHED STEEL	90 cm	ROSE BOWL
41867307	STRIPE SENSE ISLAND 90W X 34 GREEN 11 & BRUSHED STEEL	90 cm	SEAGRASS
41866604	STRIPE SENSE ISLAND 90W X 34 BLUE 02 & BRUSHED STEEL	90 cm	SKY
41867002	STRIPE SENSE ISLAND 90W X 34 BROWN 03 & BRUSHED STEEL	90 cm	TRUFFLE OIL
41866909	STRIPE SENSE ISLAND 90W X 34 BLUE 09 & BRUSHED STEEL	90 cm	VOYAGE BLUE
41869105	STRIPE SENSE ISLAND 90W X 34 GREY 12 & BRUSHED STEEL	90 cm	WASHED COTTON
41869410	STRIPE SENSE ISLAND 90W X 34 WHITE 01 & BRUSHED STEEL	90 cm	WHITE

# Mantica

## PRODUCT PHOTO



## DIMENSIONED DRAWING



## TECHNICAL INFORMATION

Energy class	A++
Extraction (m <sup>3</sup> /h)	191/222/289/435 (B 664)
Noise level (dBA)	34/38/44/53 (B 63)
Lighting	LED 2700-5000K
Outlet dimensions	120/150
AUX-signal	Yes

## TYPES OF VENTILATION

Duct out	Yes
Recirculation	Yes



**Mantica** is a modern cooker hood and one of our most popular models. It can be supplied in any of the Magnet Create colours. The sleek lines, linear flow and premium quality, result in a truly unrivaled modern aesthetic.

Magnet SKU	Product name	Width	Finish
40571102	LONG-LIFE CHARCOAL FILTER	-	-
40571004	PCU FOR STOVE GUARD FUNCTIONALITY	-	-

The Stove Guard PCU is highly recommended and allows the hood to cut the power to any electrical hob in fire emergency (see page 11).

SEE MORE ONLINE:



Scan code with your mobile





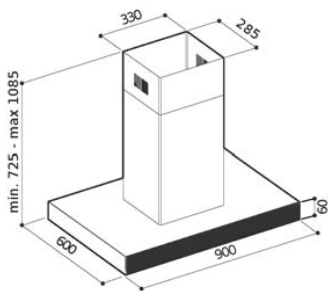
Magnet SKU	Description	Width	Finish
41848301	MANTICA SENSE ISLAND 80W X 80H GREEN 16	80 cm	ARBORETUM GREEN
41805805	MANTICA SENSE ISLAND 80W X 80H BLACK	80 cm	BLACK
41848410	MANTICA SENSE ISLAND 80W X 80H RED 05	80 cm	BURLINGTON RED
41844901	MANTICA SENSE ISLAND 80W X 80H BEIGE 10	80 cm	CASHMERE SWEATER
41847609	MANTICA SENSE ISLAND 80W X 80H GREY 03	80 cm	CHARCOALS
41847707	MANTICA SENSE ISLAND 80W X 80H GREY 11	80 cm	DOVE GREY
41848704	MANTICA SENSE ISLAND 80W X 80H GREEN 17	80 cm	EUCALYPTUS GREEN
41848203	MANTICA SENSE ISLAND 80W X 80H WHITE 02	80 cm	FRESH LINEN
41845604	MANTICA SENSE ISLAND 80W X 80H GREEN 10	80 cm	GREEN OLIVES
41847903	MANTICA SENSE ISLAND 80W X 80H PINK 01	80 cm	LILAC BLOSSOM
41845103	MANTICA SENSE ISLAND 80W X 80H BLUE 05	80 cm	MIDNIGHT
41847500	MANTICA SENSE ISLAND 80W X 80H GREEN 15	80 cm	MISTY MOORS
41848606	MANTICA SENSE ISLAND 80W X 80H BLUE 10	80 cm	MORRIS BLUE
41740308	MANTICA SENSE ISLAND 80W X 80H BEIGE 07	80 cm	NORDIC NATURE
41740406	MANTICA SENSE ISLAND 80W X 80H BROWN 05	80 cm	NORDIC NATURE
41844803	MANTICA SENSE ISLAND 80W X 80H BEIGE 09	80 cm	PEBBLE PATH
41848508	MANTICA SENSE ISLAND 80W X 80H GREEN 18	80 cm	REGENCY GREEN
41848007	MANTICA SENSE ISLAND 80W X 80H PINK 02	80 cm	ROSE BOWL
41847402	MANTICA SENSE ISLAND 80W X 80H GREEN 11	80 cm	SEAGRASS
41845005	MANTICA SENSE ISLAND 80W X 80H BLUE 02	80 cm	SKY
41845408	MANTICA SENSE ISLAND 80W X 80H BROWN 03	80 cm	TRUFFLE OIL
41845310	MANTICA SENSE ISLAND 80W X 80H BLUE 09	80 cm	VOYAGE BLUE
41847805	MANTICA SENSE ISLAND 80W X 80H GREY 12	80 cm	WASHED COTTON
41848105	MANTICA SENSE ISLAND 80W X 80H WHITE 01	80 cm	WHITE

# Callisto

## PRODUCT PHOTO



## DIMENSIONED DRAWING



## TECHNICAL INFORMATION

Energy class	A
Extraction (m <sup>3</sup> /h)	303/588
Noise level (dBA)	48/63
Lighting	4 x LED
Outlet dimensions	120/150
AUX-signal	No

## TYPES OF VENTILATION

Duct out	Yes
Recirculation	Yes



**Callisto island** model is both timeless and a great choice for the modern kitchen. A remote control is included as standard.

<i>Magnet SKU</i>	<i>Product name</i>	<i>Width</i>	<i>Finish</i>
41947909	CALLISTO ISLAND 90W	90 cm	BLACK
41948002	CHARCOAL FILTER	-	-

# INTE- GRATED HOODS

**Integrated hoods provide a good solution** to manage your indoor air quality without giving up too much space and allowing a discreet finish, by having the hood hidden inside a wall cabinet.



# Crystall<sup>1160/1180</sup>

## PRODUCT INFO

**Crystall 1160 and 1180** is a telescopic hood with a three colour options for a frontal strip included which allows colour matching to your kitchen. It has high extraction, low noise and with it's low energy rating, it is a very economical unit to run. With these features it's clear why this is such a popular integrated model.

## TECHNICAL INFORMATION

Energy class	A
Extraction (m <sup>3</sup> /h)	200/320/540
Noise level (dBA)	48/54/63
Lighting	2 x LED
Outlet dimensions	120/150
AUX-signal	No

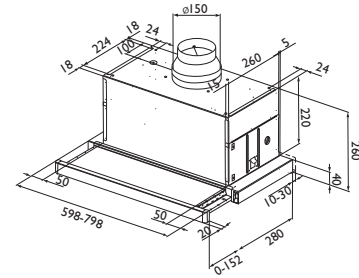
## TYPES OF VENTILATION

Duct out and Recirculation

## PRODUCT PHOTO



## DIMENSIONED DRAWINGS



Magnet SKU	Product name	Width	Finish
41948100	CRYSTALL 1160	59.8 cm	STAINLESS STEEL
41948209	CRYSTALL 1180	79.8 cm	STAINLESS STEEL
22017810	CHARCOAL FILTER	79.8 cm	-

It can be installed in a cabinet, either with or without a base panel. The frontal strip is included and you can choose between a stainless steel, white or black front-edge strip.



# Venus

## PRODUCT INFO

**Venus** is supplied in black with LED lights. Venus is a good choice for smaller top boxes with a height limitation as it's only 209 mm high. Note that it can only be fitted in cabinets with a base panel. Venus is particularly popular in darker cabinets where you want a sleeker discrete integration.

## TECHNICAL INFORMATION

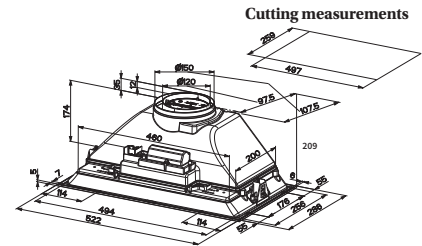
Energy class	B
Extraction (m <sup>3</sup> /h)	180/270/390
Noise level (dBA)	54/62/70
Lighting	2 x LED
Outlet dimensions	120/150
AUX-signal	No

**TYPES OF VENTILATION**      Duct out and Recirculation

## PRODUCT PHOTO



## DIMENSIONED DRAWINGS



## PRICE LIST

Magnet SKU	Product name	Width	Finish
22543600	VENUS 60 CM	52.2 cm	BLACK STEEL
40559108	CHARCOAL FILTER	-	-



# CUBIC

## PRODUCT INFO

**Cubic** is an integrated hood with perimetric extraction which allows higher airflow and aesthetically more appealing. Cubic is fully integrated and offers high levels of extraction.

## TECHNICAL INFORMATION

Energy class	B
Extraction (m <sup>3</sup> /h)	260/410/580
Noise level (dBA)	54/59/66
Lighting	LED strip
Outlet dimensions	120/150
AUX-signal	No

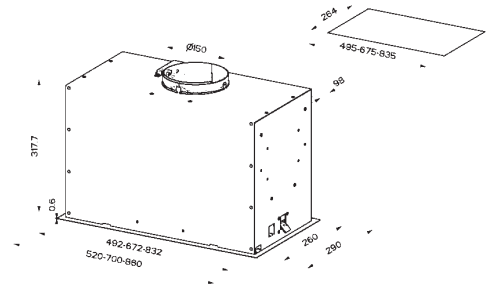
## TYPES OF VENTILATION

Duct out and Recirculation

## PRODUCT PHOTO



## DIMENSIONED DRAWINGS



## PRICE LIST

Magnet SKU	Product name	Width	Finish
41947506	CUBIC 52	52 cm	STAINLESS
41947604	CUBIC 70	70 cm	STAINLESS

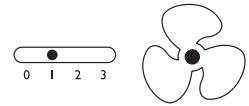


# DAILY USE AND MAINTENANCE

## HOW TO USE YOUR HOOD AS EFFICIENTLY AS POSSIBLE

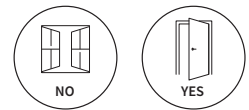
### Start the hood in time

The most important aspect of ventilation is to remember to start the hob once you start cooking. Any delay would result in greatly diminishing its efficiency, only a few minutes delay could mean less than 50% efficient. That is also the reason why SENSE automatic ventilation is recommended as it means you're always extracting at optimum levels.



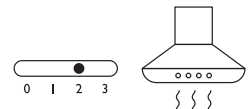
### Close the windows and leave a door ajar

Ventilation is most effective if you close the kitchen windows but ensure that the fan can get supply air, for example by keeping the door to the living room ajar.



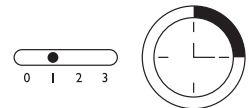
### Set the hood to correct speed setting

Setting your hood to an extraction level of between 300 and 550 m<sup>3</sup>/h, should be efficient. A higher level of extraction is only ever needed when cooking exceptional fragrant dishes or in cases where food was burned. In case of burned food, most of our hoods have a BOOST/BURNED setting, making the hood go into overdrive for a few minutes before it will reset automatically to a lower speed. If your hood is equipped with RørosHetta SENSE, it will regulate this automatically, allowing care-free cooking.



### Remember to leave the fan on for a while after you have finished cooking

Use the lowest setting to ventilate the room for about 15 to 30 minutes after you have finished cooking. This feature is also important because it helps to dry out the grease filter after cooking. RørosHetta SENSE regulates this automatically.



## 5-YEAR WARRANTY AND AFTER-SALES SERVICE

### A promise of quality that is built to last

Every RørosHetta hood is designed with sustainability in mind, conserving both energy and natural resources, without compromising performance. The commitment on the promise of quality, is backed by a 5-year guarantee on all hoods.



**Phone After-sale service support:** 0330 094 7775

Opening hours:

Monday - Friday

08:30 - 18:00

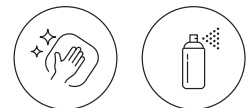
Saturday

09:00 - 13:00

## HOW TO MAINTAIN YOUR RØROSHETTA HOOD

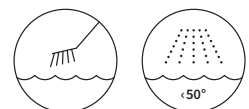
### Surface maintenance

PVD-coated and lacquered hoods can easily be cleaned with hot water and washing-up liquid. Steel hoods can be maintained with a steel cleaner, or you can use a damp cloth followed by a dry microfibre cloth. Please note that models in brushed steel and PVD-coated panels have been treated to resist fingerprints. Do not use microfibre cloths on products coated with high-gloss lacquer or PVD.



### Maintaining your filters

The grease filter should be washed regularly, every month. Place in hot water and washing-up liquid in the sink, or wash in the dishwasher at a maximum of 50°C. If your hood is not duct out, it needs a charcoal filter. The charcoal filter should be replaced every 3 months, unless it is a SENSE Long-life monoblock filter. The monoblock carbon filter has a working lifetime of up to 5 years (900 hours of cooking).

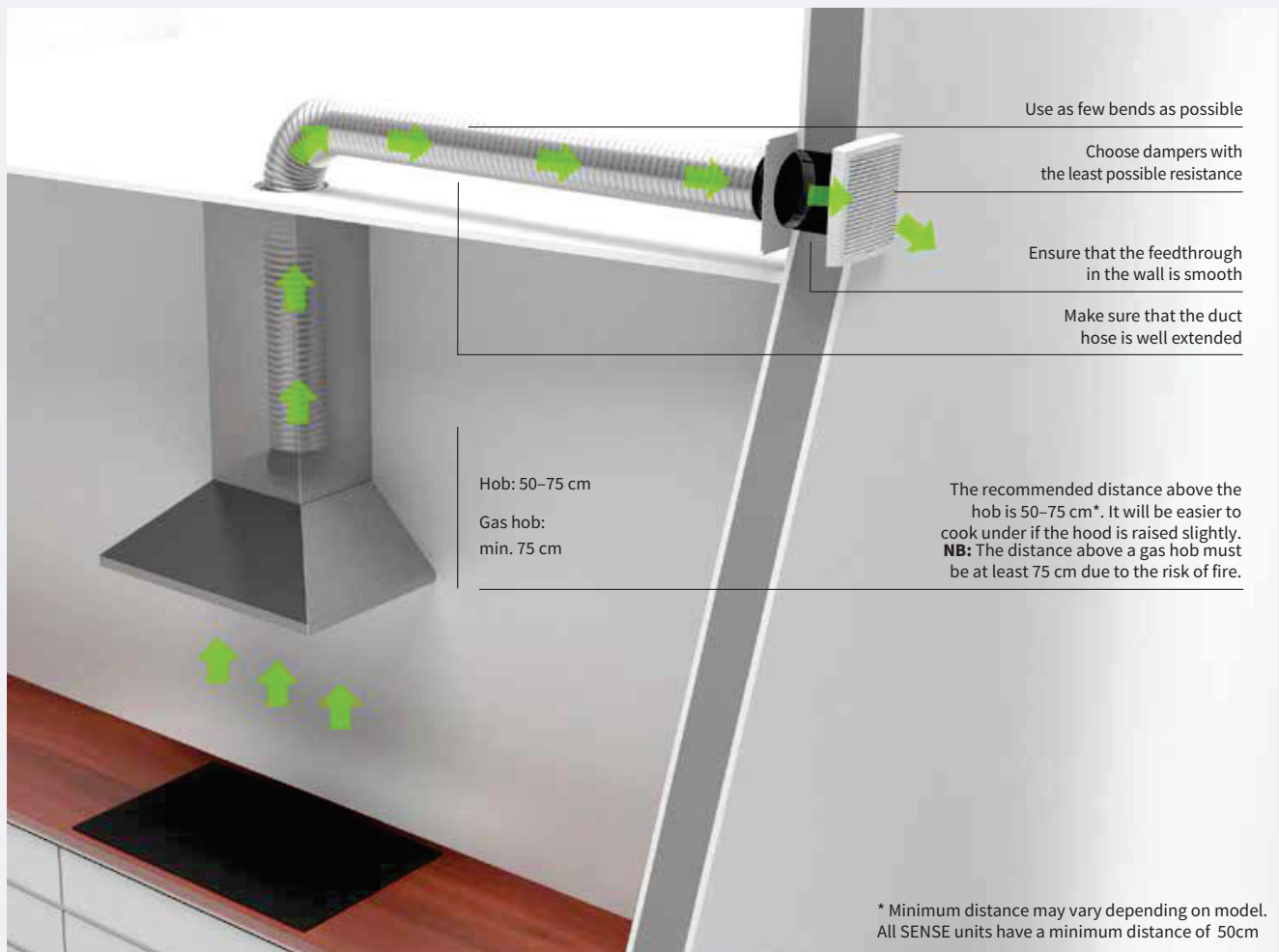


# HOOD INSTALLATION

**The diameter, length and number of bends in the duct affects the efficiency of your extraction.**

Often, the actual extraction is half of the motor capacity, due to poor installation. Use ducting that creates the least possible resistance. This means using ducting that is as smooth as possible inside with as few bends possible. In the case of flexible ducting, make sure the ducting is taught. Try to keep the distance of the ducting as short as possible. In situations where the distance is large and requires lots of bends, it's best to get a hood with the highest possible extraction to compensate for the loss. Here's how to install your hood correctly.

**Please check your local building regulations for clearance height restrictions for your hob from your hood.**



Use a 6" (160 mm) diameter hose to maximise the capacity of your extractor fan. During windy weather, you may find that the damper clatters, creating unwanted noise. With a magnetic damper, however, this does not happen, and you also prevent cold air from penetrating into your home.

# QR-CODE GALLERY

## RØROSHETTA WEBSITE

---



roroshetta.uk



Our History

## CORPORATE VIDEO RØROSHETTA

---



Promotion video  
RørosHetta

## RØROSHETTA SENSE

---



RørosHetta SENSE  
Full video



Tailored  
Clip



Silent  
Clip



Automatic  
Clip



Automatic shut-off  
Clip



Indoor climate  
Clip

## INSTALLATION VIDEOS

---



RørosHetta SENSE  
Wall Mounted



Vision

## SOCIAL MEDIA

---



Facebook



Instagram



LinkedIn

# roroshetta.uk



**RØROS METALL AS**

Stamphusveien 11, NO-7374 Røros, Norway  
Tel. +47 72 40 94 00 / [post@rorosmetall.no](mailto:post@rorosmetall.no)

Instagram #Rørshetta  
Follow us on Facebook!